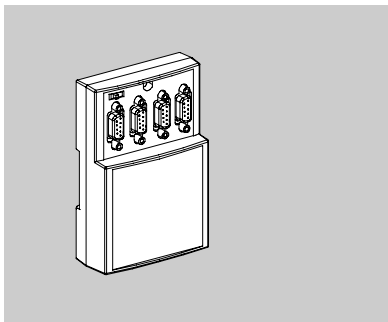


TSX CANTDM4 Box

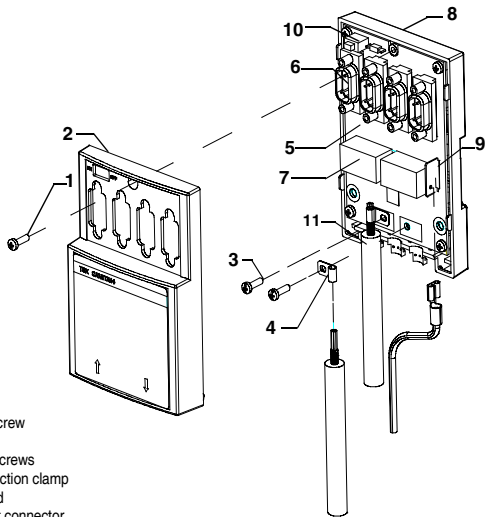
Quick reference guide
Kurzanleitung
Instruction de service
Guía de referencias rápidas
Guida di riferimento rapido

Edition March 2005



TSX CANTDM4 connection device

This unit provides 4 SubD9 male connectors that enable 4 CAN devices to be connected to the CANopen bus.

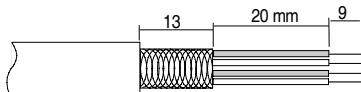


- 1 Cover fixing screw
- 2 Product cover
- 3 Clamp fixing screws
- 4 Ground connection clamp
- 5 Electronic card
- 6 SUB-D 9 point connector
- 7 Connection terminal block
- 8 Product base
- 9 Terminal to connect green/yellow ground wire
- 10 Switch that enables the end of line resistance to be connected
- 11 Cable cleats

Required hardware:

Cross tipped screwdriver (PZ01)

Cable preparation template



Operate mode:

- Unscrew screw (1) with a cross tipped screwdriver (PZ01), open cover 2,
- Mount the base on its Din Rail bracket or with 2 screws $\varnothing 4$, L = 20 mm min. (not provided),
- Prepare the main cable segments according to the preparation template above,
- Connect the cables to terminal block (7) according to the following instructions,
- If the unit is at the beginning or end of line, place the switch in the ON position. A resistance of 120 ohm is then connected between the CAN_L and CAN_H signals of the input cable. In this case, these signals are no longer connected to the output cable,
- Place the cables, isolating tube against the edge of the card (5),
- Connect the protective earth to the terminal marked PE. This lead fits into the upper slot of the clamp,
- Place and mount the ground connection clamps (4),
- Immobilize the cables using cable cleats (11),
- Break the scored tabs on the cover (2) to make way for the cables,
- Mount and screw the cover: screw (1) with a cross tipped screwdriver (PZ01)

Connections:

If you have to connect a Schneider standard CANopen cable (TSXCANCAxxx, TSXCANCBxxx or TSXCANCDxxx), you must follow the associations (signal, wire color) described in the tables below.

**ATTENTION****RISK OF CANopen NETWORK MALFUNCTION**

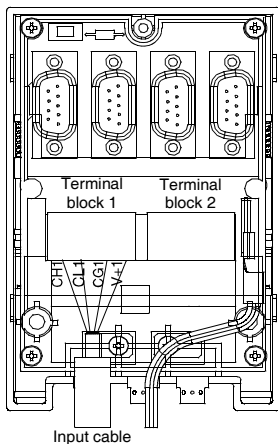
The V+ signal (red) must only be used for power distribution.

The cable connections must comply with the associations described in the following tables.

Not complying with these precautions may lead to equipment damage.

TSX CANTDM4 connection device

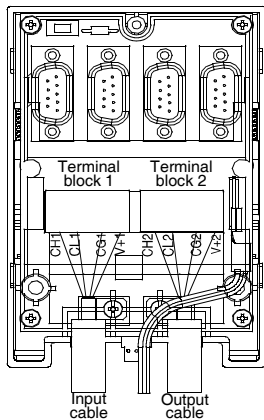
Connection with 1 cable:

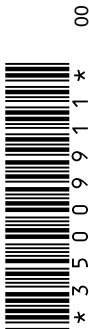


Signal	Terminal block 1	Wire color
CAN_H	CH1	white
CAN_L	CL1	blue
CAN_GND	CG1	black
CAN_V+	V+1	red

Connection with 2 cables:

Signal	Terminal block 1	Terminal block 2	Wire color
CAN_H	CH1	CH2	white
CAN_L	CL1	CL2	blue
CAN_GND	CG1	CG2	black
CAN_V+	V+1	V+2	red





35009911 00

Schneider Electric Industries SAS

Headquarters

89, bd Franklin Roosevelt
F - 92506 Rueil Malmaison Cedex

<http://www.schneider-electric.com>

Owing to changes in standards and equipment, the characteristics given in the text and images in this document are not binding us until they have been confirmed with us.

Printed in

march 2005