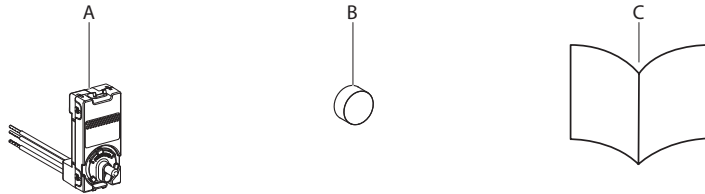


40RWDA**

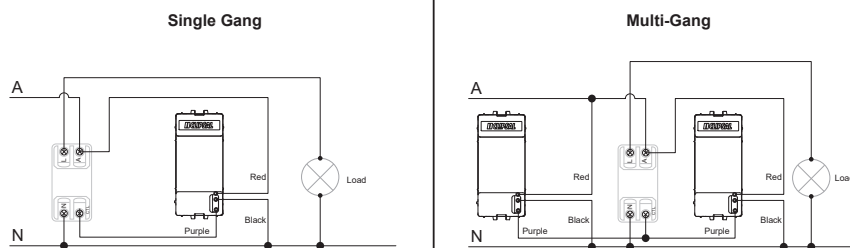
If using with a Wiser smart home system, download the Wiser App to your smartphone and follow the instructions on screen to configure a Wiser Dimmer (ZigBee). For further information refer to the System User Guide online.



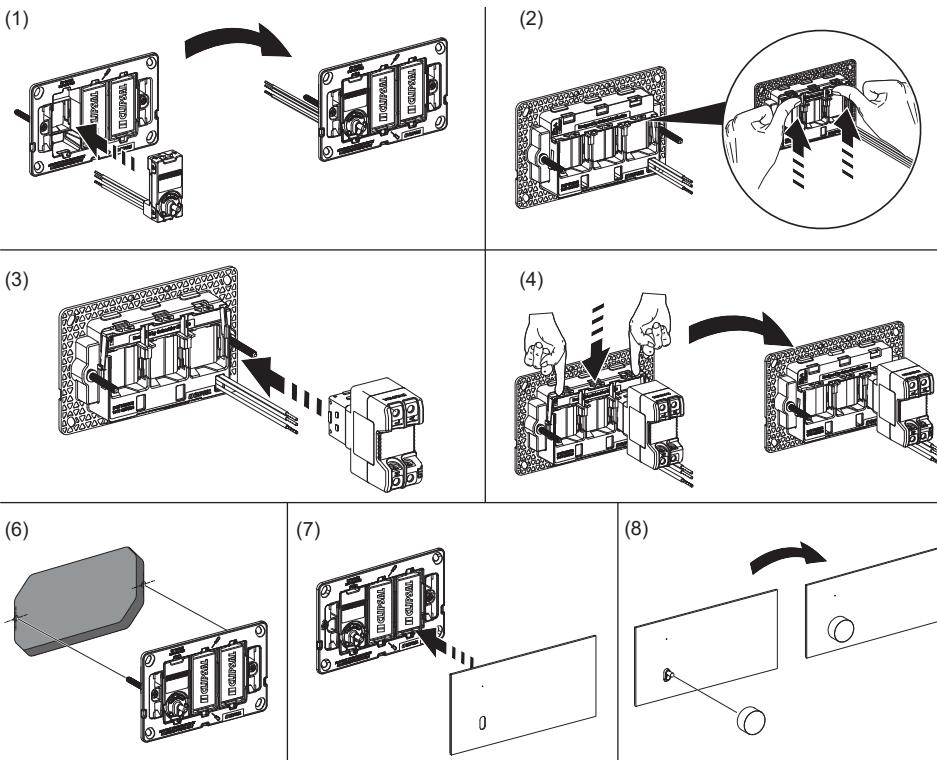
1



2



3



Rotary Adaptor for Wiser Dimmer (Zigbee)

About this product

The Rotary Adaptor (**hereinafter referred to as Adaptor**) uses regular wiring to deliver a rotary interface and multi-way control of dimming for the Wiser Dimmer (Zigbee). The interface integrates rotary and push controls. Rotating adjusts lighting levels, while push and hold varies levels. A short press turns the dimmer On/Off.

Product Range

Cat No.	Description	Range
40RWDA**	Rotary Adaptor for Wiser Dimmer Zigbee	Solis, Solis T Series

1 Package contents

- A Rotary adaptor Wiser
- B Knob
- C Installation guide

2 Wiring diagram and electrical connections

NOTICE

To prevent the possibility of intentional or unintentional interference with the operation of ControlLink, this equipment should be installed in a location with appropriate access control.

Failure to follow this instruction can result in equipment damage.

⚠️ DANGER

HAZARD OF ELECTRIC SHOCK, EXPLOSION, OR ARC FLASH

- This product must be installed and serviced by appropriately qualified and/or licenced electrical personnel.
- Connecting to installation networks.
- Connecting several electrical devices.
- Laying electric cables.
- Safety standards, local wiring rules and regulations.

Failure to follow these instructions will result in death or serious injury.

Active (A) - Red
Neutral (N) - Black
CTL link - Purple

Notes:

- All Active connections must be on the same phase.
- In case of multiple dimmers being installed, each dimmer must be connected to a separate load.
- Total length of CTL and Active loop: max. 50 m.
- Control and load cables must not be coupled.

3 Installing the device

- (1) Install the adaptor on the grid plate.
- (2) Open the locking bar on the rear side of the grid plate.
- (3) Install the **Wiser Dimmer (Zigbee)** on the grid plate.
- (4) Close the locking bar after installing the Module.
- (5) Connect the wires as per the wiring illustration 2.
- (6) Install grid plate on the wall.
- (7) Mount the cover plate on the grid plate from the front side of the grid plate.
- (8) Install the knob, make sure to push the knob on to the holder till it touches the cover plate.
- (9) When mains are turned on wait for the white LED to stop blinking approximately 8 seconds.

Note: Use Wiser Hub to receive firmware updates and to support Wiser smart home devices.



BQT69251

4



Technical data

Operating voltage	220–240 Vac, 50 Hz
Dimming range	Min. 0%, Max. 100% (depending on load)
LED indicator	Yes
Multiway control	Yes, via ControlLink
Operating humidity	5%–90% RH, non-condensing
Compliance	Safety: AS/NZS 60669.2.1 EMC: AS/NZS 60669.2.1 RF: AS/NZS 4268

RCM



ControlLink/Active cable limit	Total length of CTL and Active loop: max. 50 m
Multiway limits	Max. 4-way dimming (e.g. 1x Dimmer plus up to 3x ControlLink Modules, or up to 2x Dimmers plus 2x Control-Link Modules)
Environmental rating	IP20 (designed for indoor use only)
Control type	Knob (Rotary)
Dimension (H × W × D)	51 × 22 × 30 mm
Product type	Rotary Adaptor
Compatible modules	41EPBDWCLMZ-VW PDL354PDBMTZ-VW

Note: The adaptor is not compatible with the Wiser Dimmer in Bluetooth mode.

4 Reading the full device guide online

Scan the QR code for complete information about the device, including operation, configuration and using the product with a Wiser system.

Warranty Information (Australia)

We warrant this product for 2 years—visit

<https://www.schneider-electric.com.au/en/about-us/legal/terms-and-conditions.jsp> for details.

Our goods also come with guarantees that cannot be excluded under the Australian Consumer Law. You are entitled to a replacement or refund for a major failure and compensation for any other reasonably foreseeable loss or damage. You are also entitled to have the goods repaired or replaced if the goods fail to be of acceptable quality and the failure does not amount to a major failure.

Schneider Electric (Australia) Pty Ltd

33 Port Wakefield Road, Gepps Cross SA 5094

Customer Care: 13 73 28

Email: customercare.au@se.com

www.schneider-electric.com.au

Schneider Electric (NZ) Ltd

Level 2, Building 6, 60 Highbrook Drive, East Tamaki, Auckland 2013, New Zealand

Customer Care: 0800 741 303

Email: sales@nz.se.com

www.schneider-electric.com

Schneider Electric reserves the right to change specifications, modify designs and discontinue items without incurring obligation and whilst every effort is made to ensure that descriptions, specifications and other information in this instruction is correct, no warranty is given in respect thereof and the company shall not be liable for any error therein.

Trademarks

This product is the subject of one or more patent and/or design applications and/or registrations. More information can be found on our website.

© 2025 Schneider Electric. All Rights Reserved. Schneider Electric, Clipsal, Clipsal Solis and Life Is On Schneider Electric are trademarks and the property of Schneider Electric, its subsidiaries, and affiliated companies. All other trademarks are the property of their respective owners. Packaging made from recycled and recyclable materials.