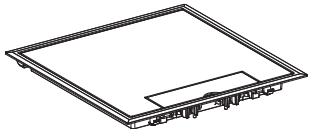


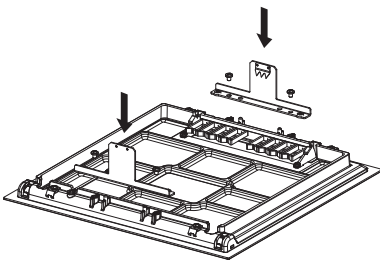
Lid / Floor outlet box

INS62040 / INS62041

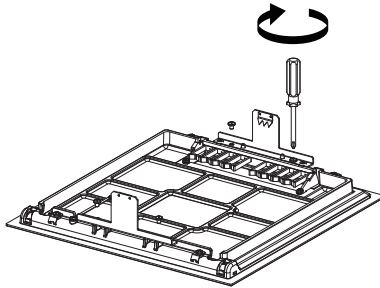


Fix the Lid

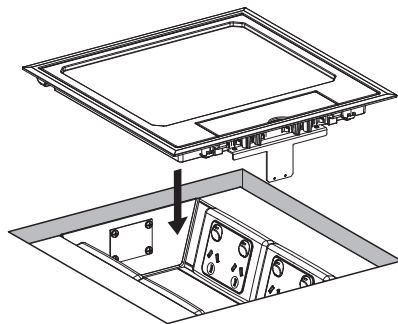
1



2

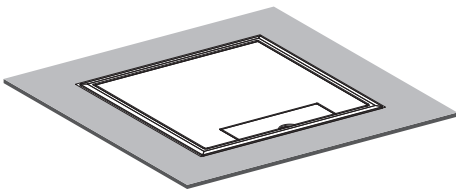


3

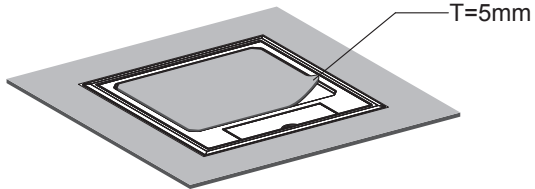


4

Finish



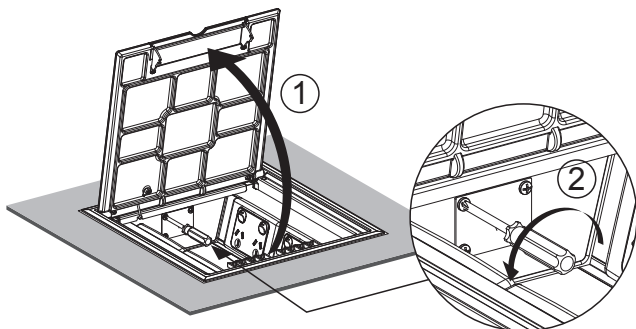
Finish with Lid INS62041



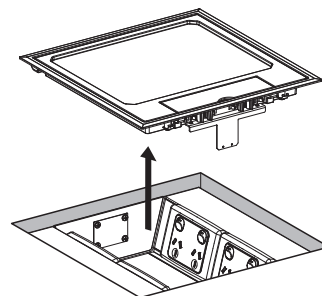
Finish with Lid INS62040

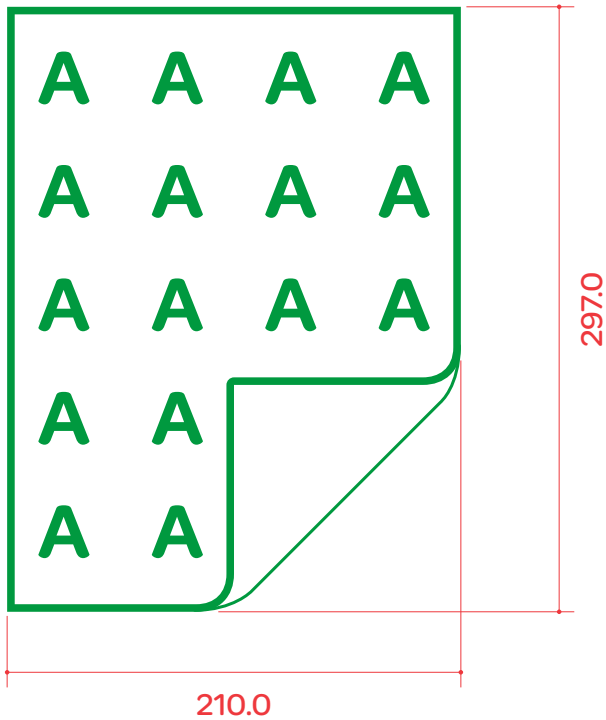
Remove

1



2





1/ 80g high quality uncoated paper (white).

2/ Single side printing.



Tolerance Standard		
For unspecification dimension on artwork		
Dimension		Tolerance
Format	Value	
00.00		± 0.05
00.0	a ≤ 3.0	± 0.3
	3.0 ≤ a ≤ 10.0	± 0.5
	10.0 ≤ a ≤ 800.0	± 0.8
	800.0 ≤ a	± 1.5

DECN201411814	Initial Release, 2014/02/25	Givi.Li	00
DECN/ECN/TCAN	DESCRIPTION	DRN	REV

	Scale :	Tolerancing Standard :	Units of measure :
	FREE	N/A	Millimeter

	MANUAL: Optiline 70, Lids		
	Number :	EAV5538101	Revision : 00

The information is highly confidential and is the exclusive property of Schneider Electric Group copyright reserved. This drawing must not be used for any purpose other than that expressly permitted in writing by the owners and must not be disclosed or reproduced in any way without permission from the owners in writing. This drawing must be returned to the owners when the purpose has ceased.

State :