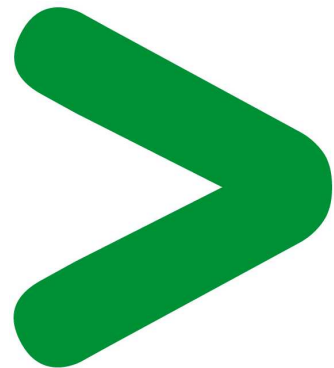


Product End-of-Life Instructions

ClimaSys CE (A/W Heat Exchangers)



Product End-of-Life Instructions – EoLI

Product overview

Product Range: ClimaSys CE (A/W Heat Exchangers)

Marketing Model/Name: NSYCEW2K5

Size: H x L x D in mm = **398 x 901 x 137**

Weight in g = **20000 g**

Purpose

The product family must be disposed according to the legislation of the country. This document is intended for use by end of life recyclers or treatment facilities. It provides the basic information to assure an appropriate end of life treatment for the components and materials of the product.

Note:

This product family is in the scope of European Union directive 2012/19/EU on Waste Electrical and Electronic Equipment (WEEE).

Operations recommended for the end of life treatment

There are several steps to process the products at the end of life so as to recover components, materials or energy :

Reuse → Separation for special treatment → Other dismantling → Shredding

CAUTION:

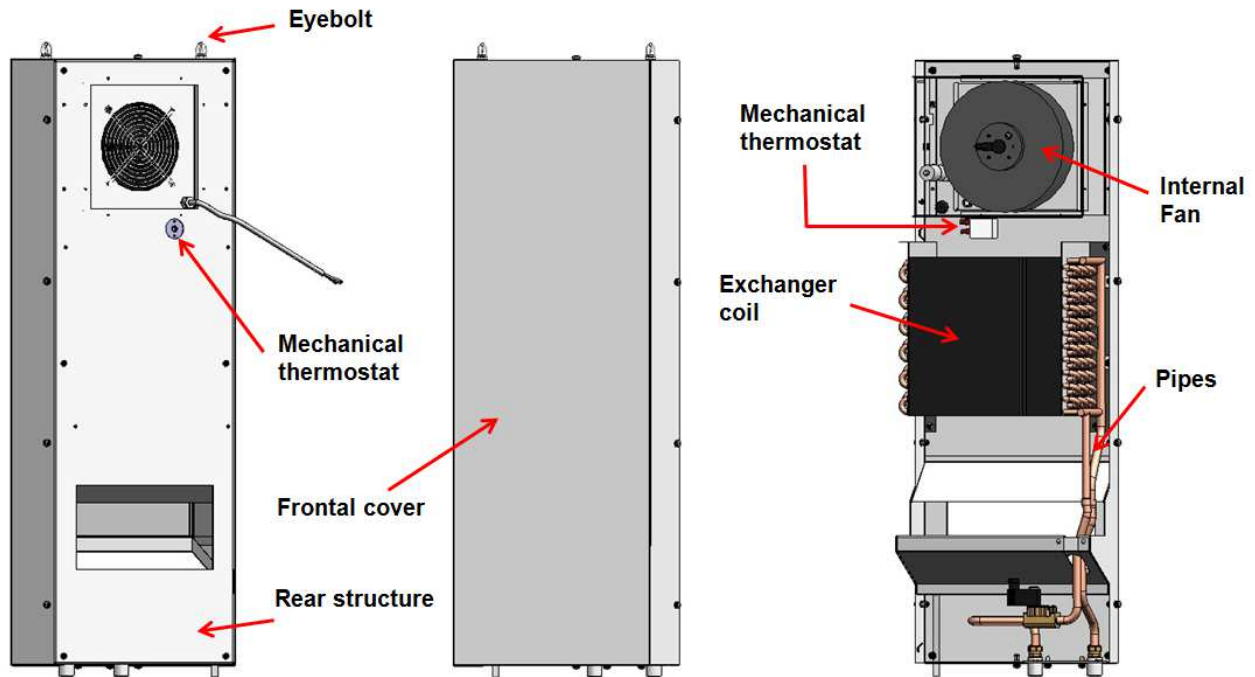
Before carrying out any activity inside/outside the heat exchanger, the power supply must be disconnected.

Disassemble and subdivide the internal units to carry out a diverse collection for the recovery of materials (steel, copper, aluminum, plastic, etc ...)

In all cases, take into account the existing regulations in the country where it is being used.

Product End-of-Life Instructions – EoLI

The components of the products that optimize the recycling performances are listed, identified and located hereunder.



Number on drawing	Components	Weight (in g)	Comment
Components listed for Shredding			
1	Frontal cover	5629 g	
2	Rear structure	4946 g	
3	Mechanic thermostat	80 g	
4	Internal fan	1390 g	
5	Exchanger coil	2210 g	
6	Eyebolt	63 g	
7	Pipes	270 g	

EoLI achieved with Schneider-Electric TT03 V5 procedure

Schneider Electric Industries SAS

35, rue Joseph Monier
CS 30323
F- 92506 Rueil Malmaison Cedex
RCS Nanterre 954 503 439
Capital social 896 313 776 €

www.schneider-electric.com