

Product End of Life Instructions

ATV930 IP21 315KW 400V/480V 3PH W/O BRAKING

Altivar Process





Potential disassembly risks

HAZARD OF ELECTRIC SHOCK, EXPLOSION, OR ARC FLASH:

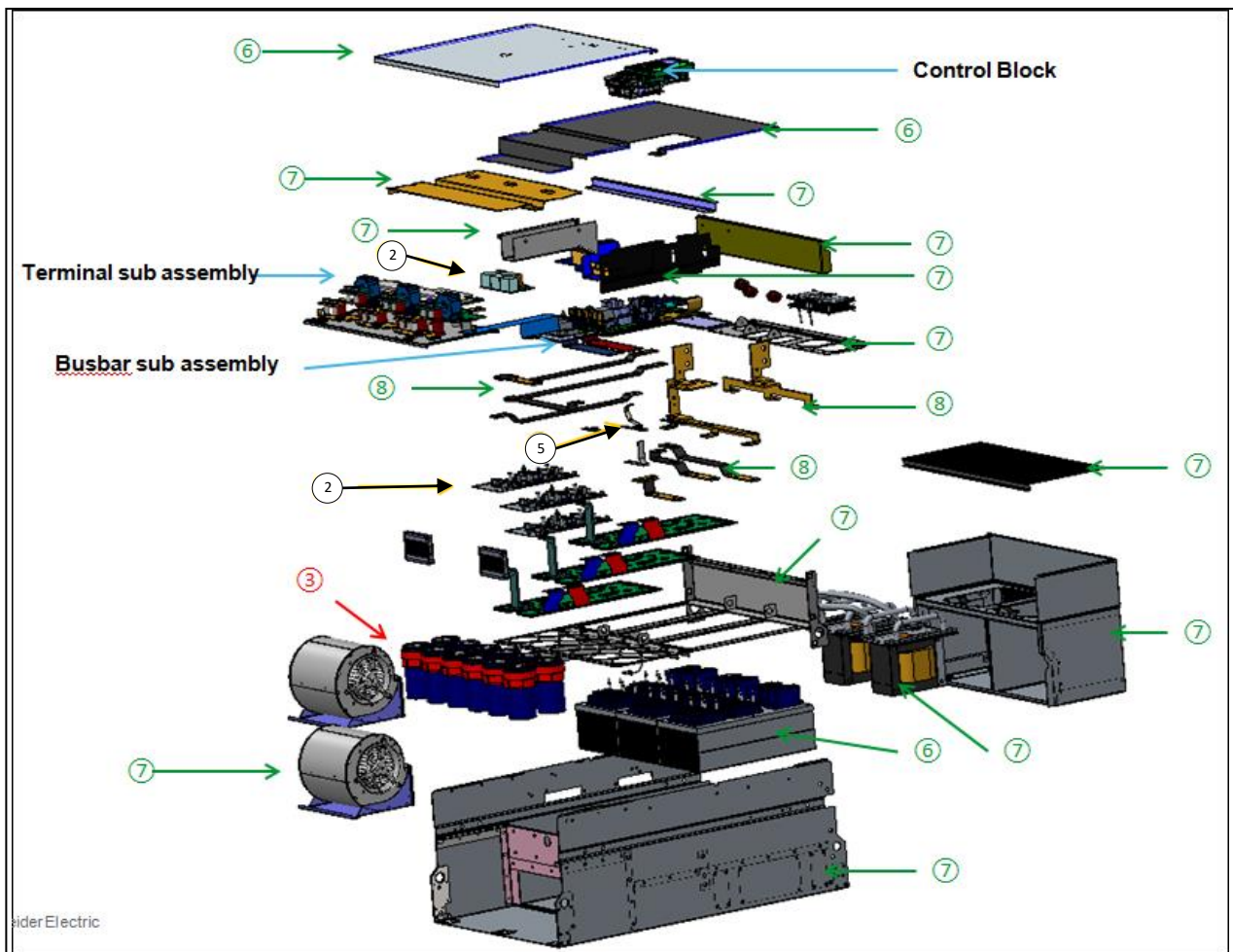
Before performing work on the drive system:

- Disconnect all power, including external control power that may be present.
- Wait 15 minutes to allow the DC bus capacitor to discharge.

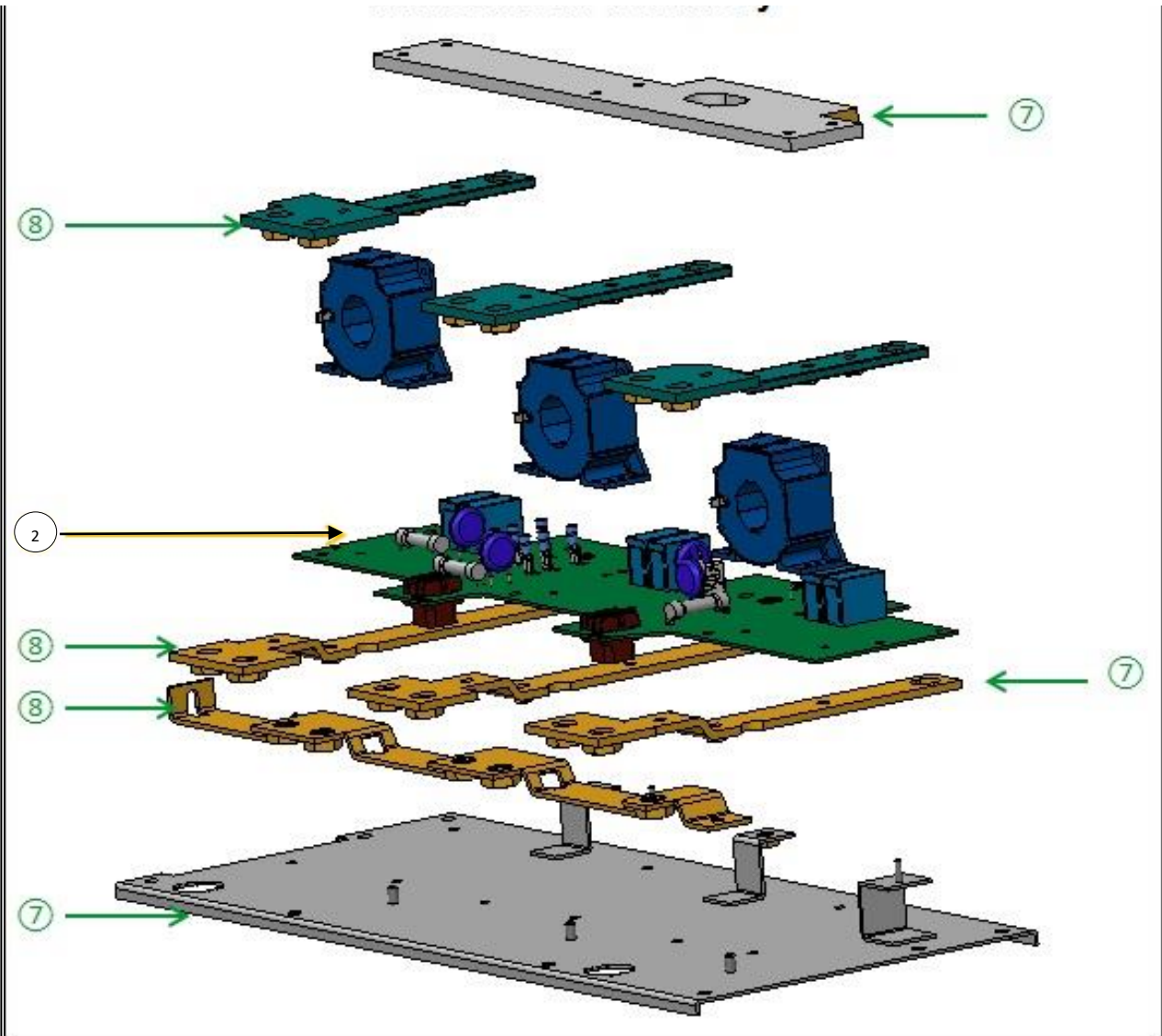
Failure to follow these instructions will result in death or serious injury.



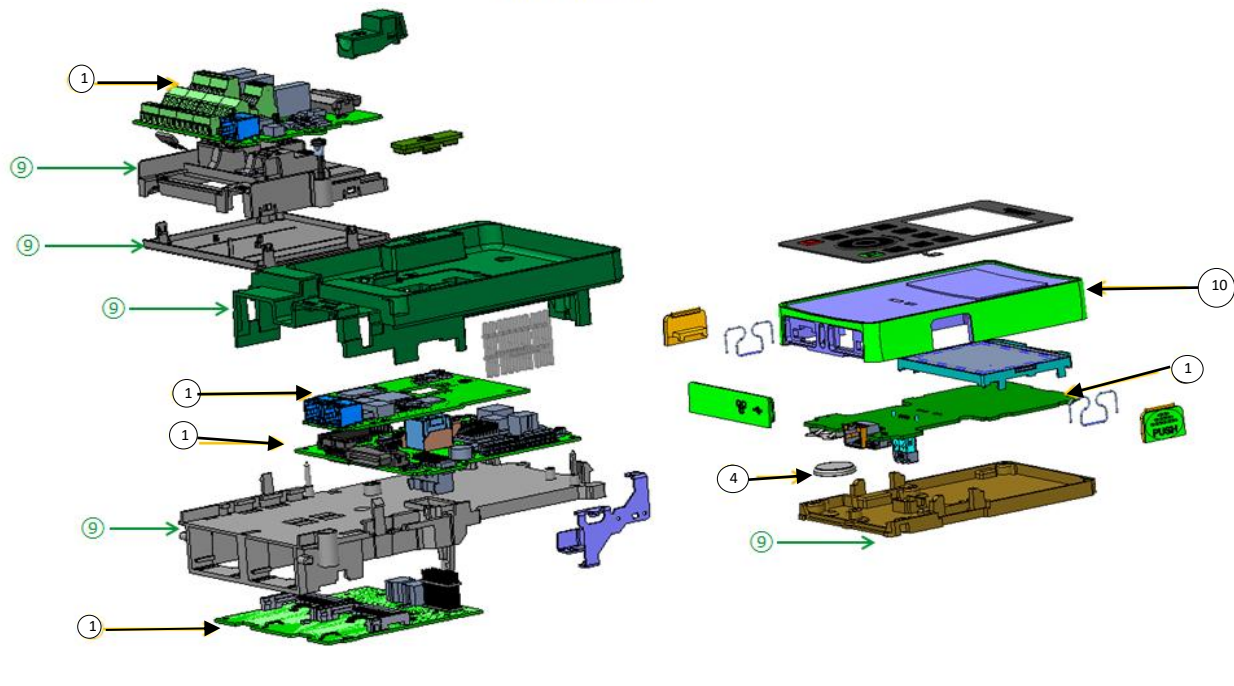
End of Life Instructions



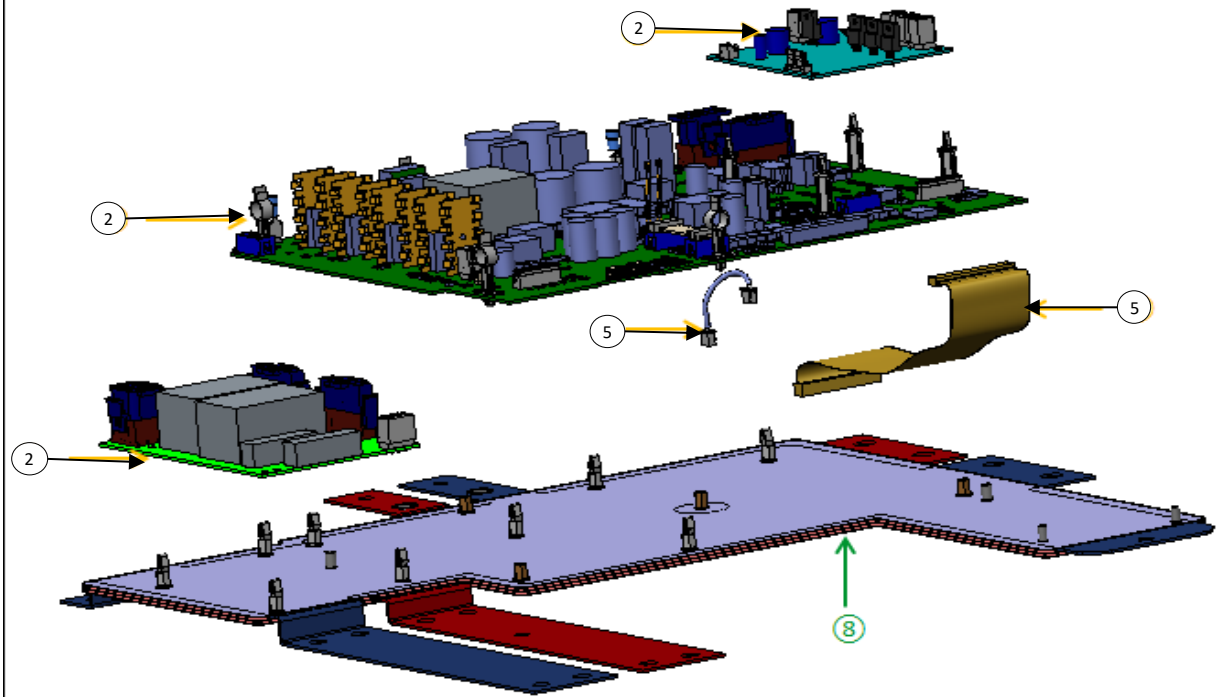
Terminal sub assembly




Control Block



Busbar sub assembly



Recommendation	Number on drawing	Component / Material	Weight (in g)	Comment
To be depolluted	5	Cable	431,8	Cable
To be depolluted	1 and 2	Electronic Card	14492	PCBA
To be depolluted	10	LCD	6,7	LCD
To be depolluted	4	Battery	2,9	The battery is located inside the Keypad Lithium content: 0,07 g
To be depolluted	3	Electrolyte capacitor	1920	Electrolyte capacitors
To be dismantled	6	Aluminium	8835	Heatsink
To be dismantled	7	Steel	138713	Cover, Support
To be dismantled	8	Copper	11359	Bar
To be dismantled	9	Plastics	1425	Housing, chassis
		Other	25815	

Manufacturer identification	Schneider Electric Industries SAS
Brand name	Schneider Electric
Product function 	The main function of the Altivar Process product range is the speed control and variation of a synchronous, asynchronous or reluctance electric motor for fluid management and industrial applications.
Product reference	ATV930C31N4C
Additional similar product references	ATV930C31N4C ATV630C22N4 ATV930C22N4 ATV930C22N4C ATV630C25N4 ATV630C31N4 ATV930C25N4C ATV930C31N4C ATV630C22N4MN ATV630C25N4MN ATV630C31N4MN ATV930C22N4MN ATV930C22N4CMN ATV930C25N4CMN ATV930C31N4CMN ATV955C22N4 ATV955C25N4C ATV955C31N4C
Total representative product mass	203 Kg
Representative product dimensions	598mm x 1195mm x 380mm
Accessories	No
Date of information release	04/2017



Additional information

Legal information	This product family is in the scope of European Union directive 2012/19/EU on Waste Electrical and Electronic Equipment (WEEE). The product family must be disposed according to the legislation of the country. This document is intended for use by end of life recyclers or treatment facilities. It provides the basic information to assure an appropriate end of life treatment for the components and materials of the product.
In case of special transportation: transportation method	No special transportation.
Recyclability potential	87% Based on "ECO'DEEE recyclability and recoverability calculation method" (version V1, 20 Sep. 2008 presented to the French Agency for Environment and Energy Management: ADEME).

Schneider Electric Industries SAS

Country Customer Care Center
<http://www.schneider-electric.com/contact>

35 rue Joseph Monier
 CS 30323
 FR 92500 Rueil Malmaison
 RCS Nanterre 954 503 439
 Capital social 896 313 776 €

www.schneider-electric.com

Published by Schneider Electric

ENVEOLI1607002_V2

© 2016 - Schneider Electric – All rights reserved

04/2017