

Product End of Life Instructions

Regenerative unit - 15kW, for Altivar variable speed drive





Potential disassembly risks

The information provided in this document assumes that the product is completely de-energized and uninstalled (refer to the instructions provided in the appropriate product manuals).

Dismantling/disassembling the product may entail hazards caused by, for example, sharp edges, chemical aggression or ejected parts.

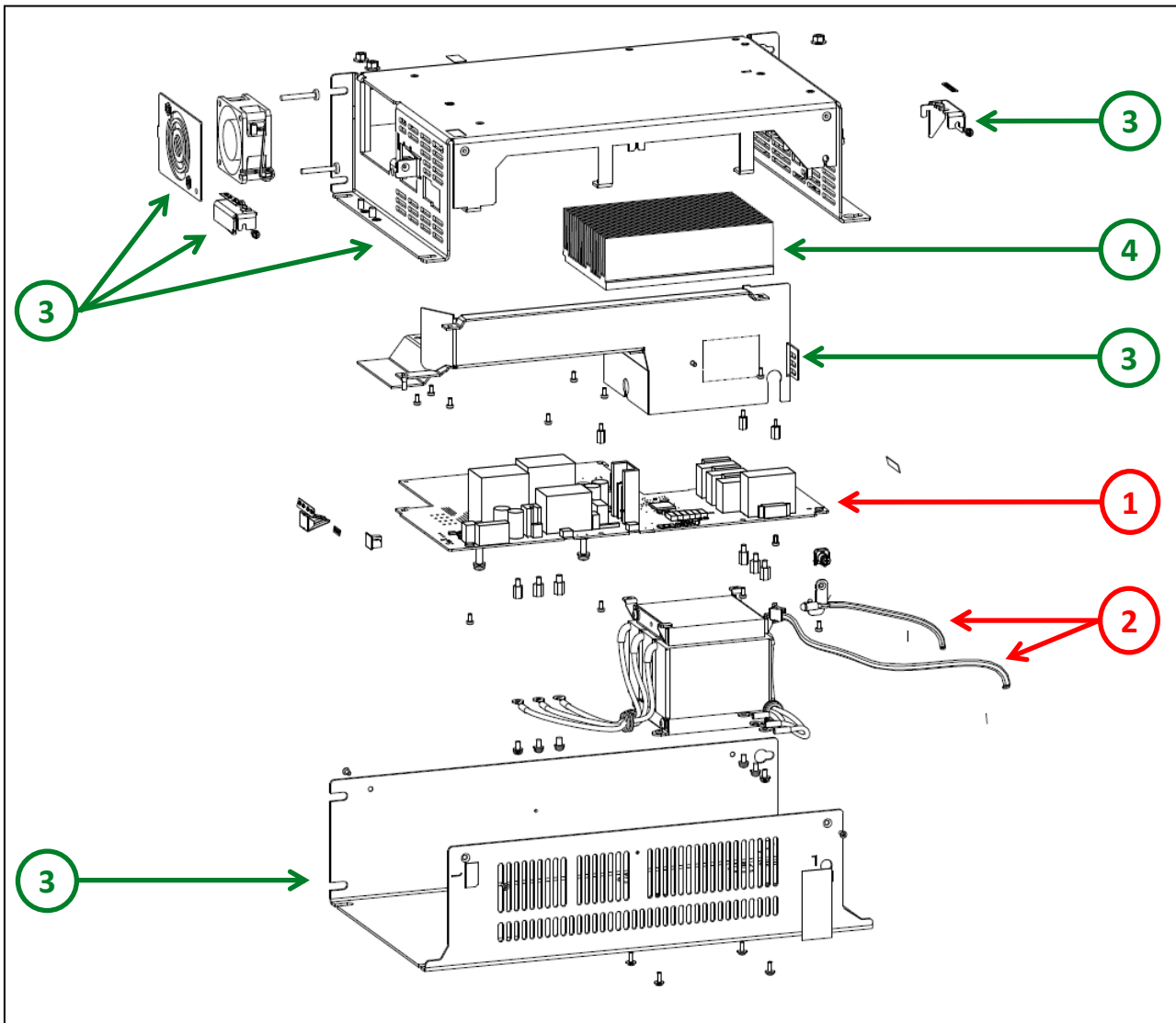
⚠ WARNING

HAZARD DUE TO INSUFFICIENT PROTECTION

- Implement all safety measures required by the applicable regulations and by the processes used to dismantle/disassemble and dispose of the product.
- Use all necessary personal protective equipment such as gloves and goggles.

Failure to follow these instructions can result in death or serious injury.

End of Life Instructions



Recommendation	Number on drawing	Component / Material	Weight (in g)	Comment
To be depolluted	1	Electronic Board (Power) > 10cm²	777,26	
To be depolluted	2	Cable (high current)	136,7	
To be dismantled	3	Steel	5613,5	Deflector - Fan Support - Cover - Chassis - Wiring Trap
To be dismantled	4	Aluminium	808,7	Heatsink
Other			4163,84	

Product description

Manufacturer identification	Schneider Electric Industries SAS	
Brand name	Schneider Electric	
Product function	The main function of the ATV Regen product is to provide an option to regenerate energy back to the AC supply.	
Product reference	ATVRD15N4	
Total representative product mass	11,5 kg	
Representative product dimensions	399mm x 105mm x 235mm	
Accessories	No accessories needed.	
Date of information release	06-2024	

Additional information

Legal information	This product family is in the scope of European Union directive 2012/19/EU on Waste Electrical and Electronic Equipment (WEEE). The product family must be disposed according to the legislation of the country. This document is intended for use by end of life recyclers or treatment facilities. It provides the basic information to assure an appropriate end of life treatment for the components and materials of the product.	
In case of special transportation: transportation method	No special transportation.	
Recyclability potential	91%	Recyclability rate has been calculated based on REEECY'LAB tool developed by Ecosystem, for components/materials not covered by the tool, data from the "ECO'DEEE recyclability and recoverability calculation method" was taken. If no data was found a conservative assumption was used (0% recyclability).

Schneider Electric Industries SAS

Country Customer Care Center
<http://www.se.com/contact>

35, rue Joseph Monier
 CS 30323
 F- 92500 Rueil Malmaison Cedex
 RCS Nanterre 954 503 439
 Capital social 928 298 512 €

www.se.com

ENVEOLI1608001

Published by Schneider Electric

© 2023 - Schneider Electric – All rights reserved

06-2024