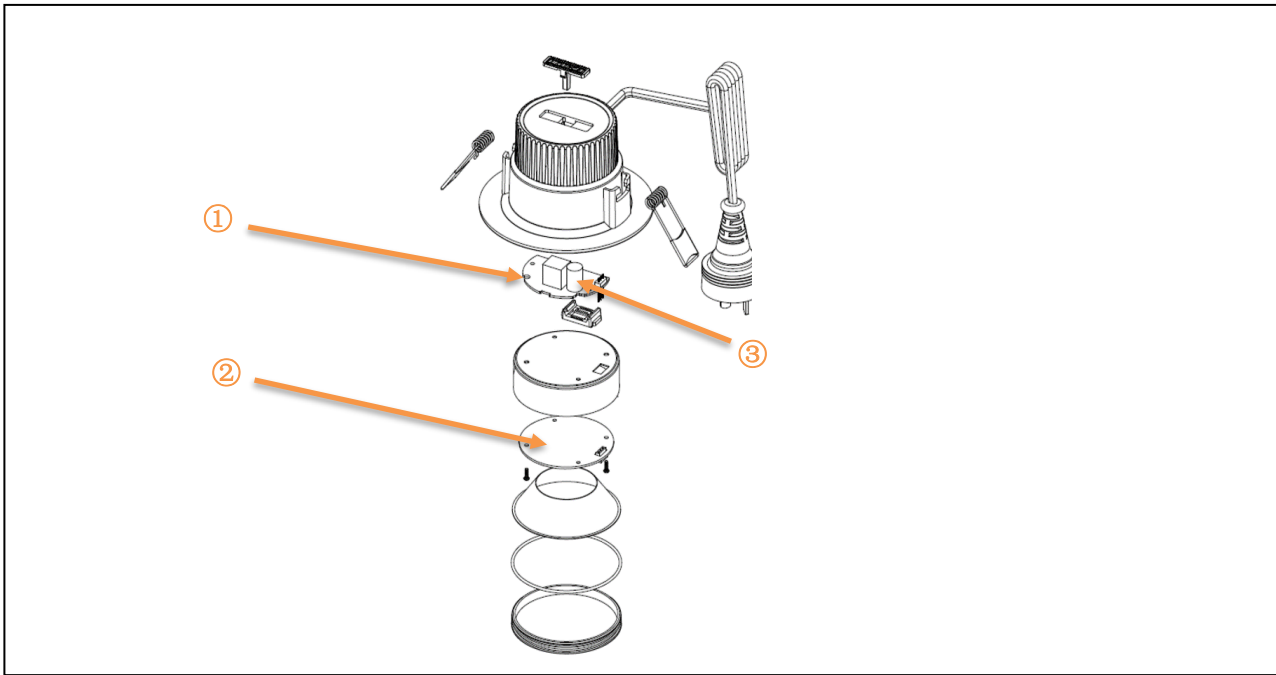


Product End of Life Instructions

LED downlight, Clipsal - Lighting, 750lm, 3K/4K/6K



End of Life Instructions



Recommendation	Number on drawing	Component / Material	Weight (in g)	Comment
To be depolluted	1	Electronic Board (Power) > 10cm ²	2.67	Including all soldering parts
To be depolluted	2	Electronic Board (Power) > 10cm ²	3.75	Including all soldering parts
To be depolluted	3	Electrolytic Capacitors	1.98	2 x large electrolytic capacitors

Product description

Manufacturer identification	Schneider Electric Industries SAS
Brand name	Schneider Electric
Product function	The new LED downlight is with high power efficiency, it could be switched to 3 different color temperature, the input voltage is AC220~240Vac 50Hz.
Product reference	CLITPDL1C3
Total representative product mass	186.7 g
Representative product dimensions	110 mm x 110 mm x 58 mm
Accessories	No
Date of information release	2023/05

Additional information

Legal information	The product family must be disposed according to the legislation of the country. This document is intended for use by end of life recyclers or treatment facilities. It provides the basic information to assure an appropriate end of life treatment for the components and materials of the product.
In case of special transportation: transportation method	No
Recyclability potential	8% Recyclability rate has been calculated based on REEECY'LAB tool developed by Ecosystem, for components/materials not covered by the tool, data from the "ECO'DEEE recyclability and recoverability calculation method" was taken. If no data was found a conservative assumption was used (0% recyclability).

Schneider Electric Industries SAS
Country Customer Care Center
<http://www.schneider-electric.com/contact>
35, rue Joseph Monier
CS 30323
F- 92500 Rueil Malmaison Cedex
RCS Nanterre 954 503 439
Capital social 896 313 776 €

www.se.com

ENVEOLI2305020_V1

Published by Schneider Electric

© 2023 - Schneider Electric – All rights reserved

2023/05