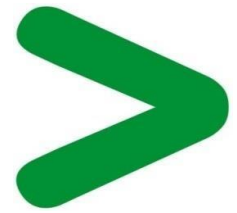
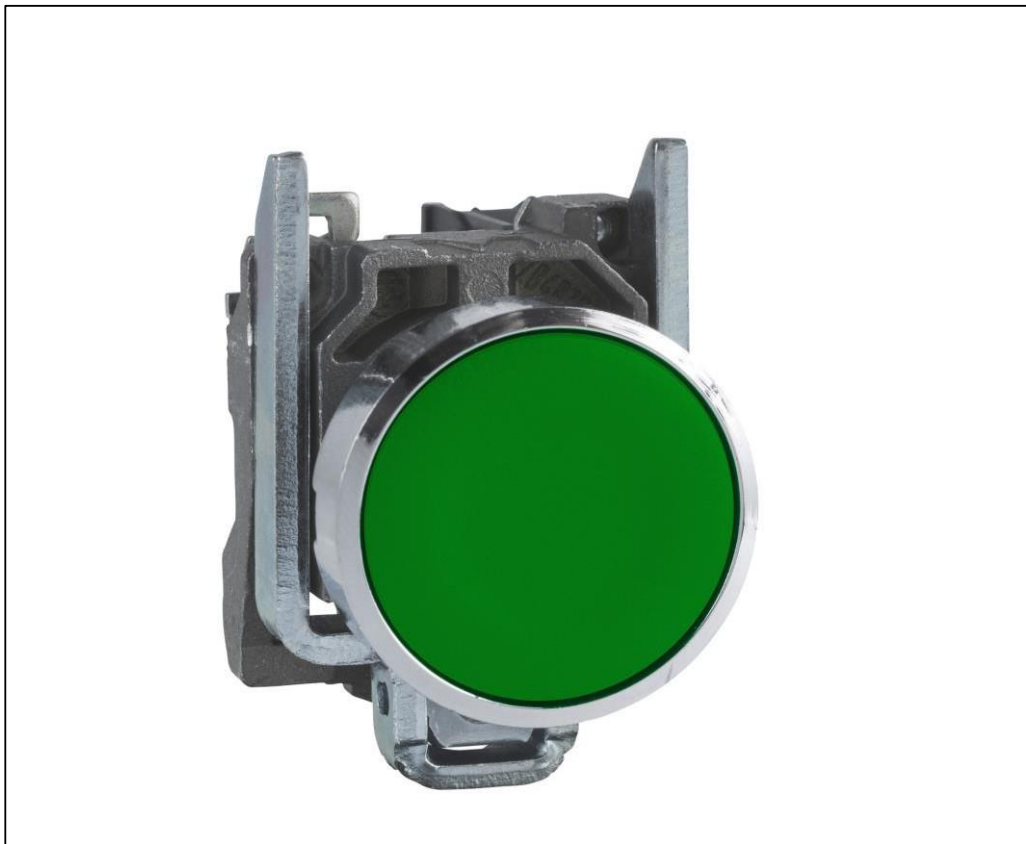


Product End of Life Instructions

Harmony XB4 Non Illuminated Push Button



 **Potential disassembly risks**

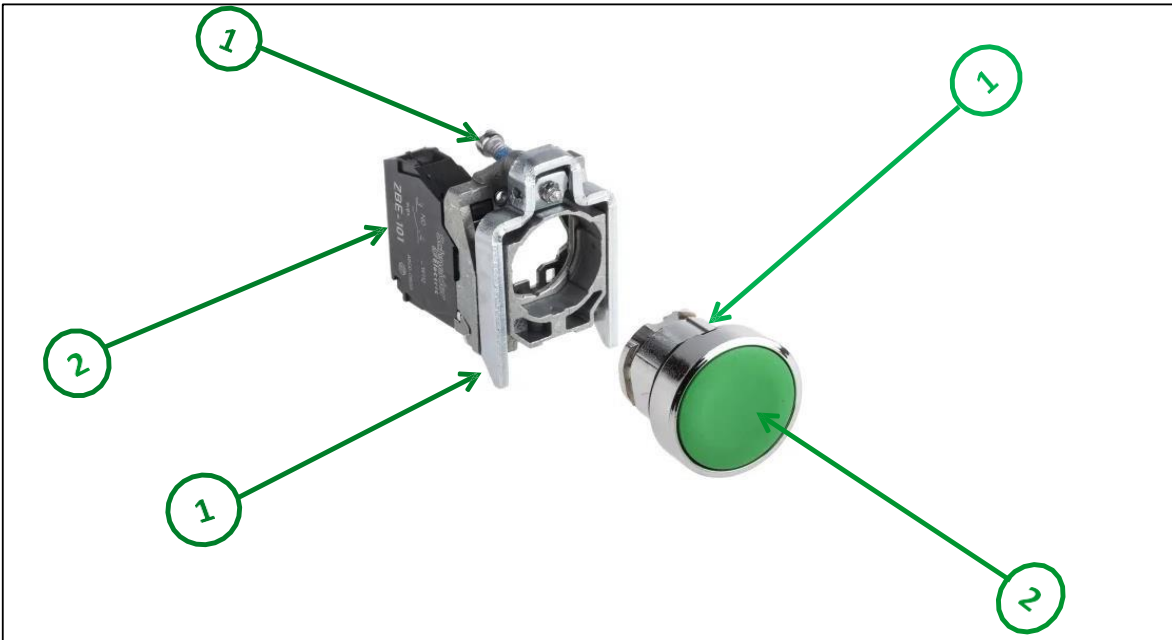
⚠ CAUTION

HAZARD OF PARTS WITH SHARP EDGES

Apply appropriate personal protective equipment (PPE) during disassembly.

Failure to follow these instructions can result in injury.

 **End of Life Instructions**



Recommendation	Number on drawing	Component / Material	Weight (in g)	Comment
To be dismantled	1	Screw, Spring, Bezel, Bracket	64.42	Metal Parts
To be dismantled	2	Head Cap, Contact Cover, Housing	10.03	Plastic Parts
Other		Liquid and Pasty Substances	0.5	Ink, Glue, Solvent

Product description

Manufacturer identification	Schneider Electric Industries SAS
Brand name	Schneider Electric
Product function	Push button switch is usually used to turn on and off the control circuit and it is a kind of control switch appliance that is widely used in industrial applications.
Product reference	XB4BA31
Total representative product mass	75 g
Representative product dimensions	H 46.5mm x L 52mm x D 30mm
Accessories	No accessories needed
Date of information release	10/2023

Additional information

Legal information	This product family is in the scope of European Union directive 2012/19/EU on Waste Electrical and Electronic Equipment (WEEE). The product family must be disposed according to the legislation of the country. This document is intended for use by end of life recyclers or treatment facilities. It provides the basic information to assure an appropriate end of life treatment for the components and materials of the product.	
In case of special transportation: transportation method	No specific means of transportation are required.	
Recyclability potential	84%	Recyclability rate has been calculated based on REEECYLAB tool developed by Ecosystem, for components/materials not covered by the tool, data from the "ECO'DEEEE recyclability and recoverability calculation method" was taken. If no data was found a conservative assumption was used (0% recyclability).

Schneider Electric Industries SAS
 Country Customer Care Center
<http://www.schneider-electric.com/contact>
 35, rue Joseph Monier
 CS 30323
 F- 92500 Rueil Malmaison Cedex
 RCS Nanterre 954 503 439
 Capital social 928 298 512 €

www.se.com

ENVEOLI2308035_V1

Published by Schneider Electric

© 2023 - Schneider Electric – All rights reserved

10/2023