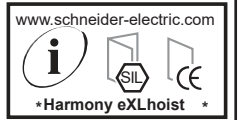


Harmony™ eXLhoist

A



ZARC01

You can download our technical user guide file from our website at www.schneider-electric.com

For the optimal use of the battery :

- It is recommended to charge the Remote Control Device before the first use and before low battery warning is activated.
- It is needed to charge the Remote Control Device with room temperature between 10°C to 35°C (50°F to 95°F) to reach the full battery charge in 15 min.
- It is recommended to charge the Remote Control Device once in every six months when it is not used for a long period of time.



Do not dispose of electric tools together with household waste material!

In observance of European directive 2002/96/EC on wasted electrical and electronic equipment and its implementation in accordance with national law, electric tools that have reached the end of their life must be collected separately and returned to an environmentally compatible recycling facility.



⚠ DANGER

HAZARD OF ELECTRIC SHOCK, EXPLOSION OR ARC FLASH

- Disconnect all power from all equipment including connected devices, prior to removing any covers or doors, or installing or removing any accessories, hardware, cables, or wires except under the specific conditions specified in the appropriate hardware guide for this equipment.
- Always use a properly rated voltage sensing device to confirm the power is off where and when indicated.
- Replace and secure all covers, accessories, hardware, cables, and wires and confirm that a proper ground connection exists before applying power to the unit.
- Use only the specified voltage when operating this equipment and any associated products.

Failure to follow these instructions will result in death or serious injury.

⚠ WARNING

UNINTENDED EQUIPMENT OPERATION

- Use appropriate safety interlocks where personnel and/or equipment hazards exist.
- Install and operate this equipment in an enclosure appropriately rated for its intended environment.
- Do not disassemble, repair, or modify this equipment.
- Do not connect any wiring to unused connections, or to connections designated as Not Connected (N.C.).
- Put the remote into STOP mode when not operating the unit to avoid accidental operations of motions push buttons.

Failure to follow these instructions can result in death, serious injury, or equipment damage.

Electrical equipment should be installed, operated, serviced, and maintained only by qualified personnel. No responsibility is assumed by Schneider Electric for any consequences arising out of the use of this material.

This device complies with part 15 of the FCC Rules and Industry Canada licence-exempt RSS standard(s). Operation is subject to the following two conditions:

- 1) This device may not cause harmful interference, and
- 2) this device must accept any interference received, including interference that may cause undesired operation.

Le présent appareil est conforme aux CNR d'Industrie Canada applicables aux appareils radio exempts de licence. L'exploitation est autorisée aux deux conditions suivantes :

- 1) L'appareil ne doit pas produire de brouillage.
- 2) L'utilisateur de l'appareil doit accepter tout brouillage radioélectrique subi, même si le brouillage est susceptible d'en compromettre le fonctionnement.

IFETEL : La operación de este equipo está sujeta a las siguientes dos condiciones :

- (1) es posible que este equipo o dispositivo no cause interferencia perjudicial y
- (2) este equipo o dispositivo debe aceptar cualquier interferencia, incluyendo la que pueda causar su operación no deseada.

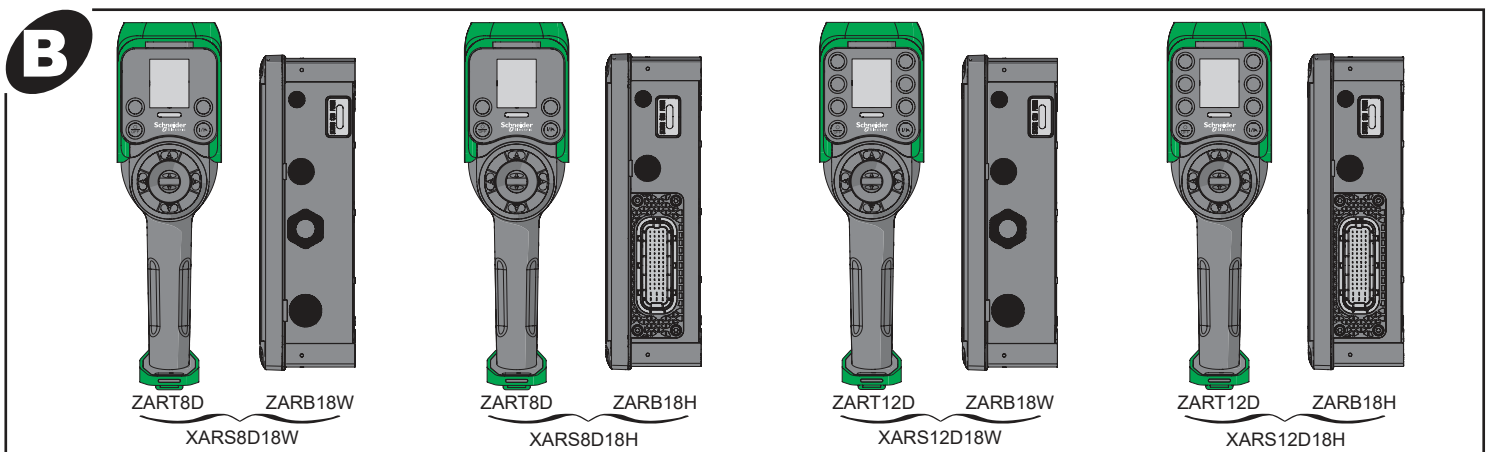
Remote Control Device battery charge connector

Protective plug

- Battery level
- Reset code required
- Radio communication level
- Operation status
- Detected application alarms
- Base label
- Selector status
- E-STOP LED

UK CA **UK Representative:**
Schneider Electric Limited
Stafford Park 5
Telford, TF3 3BL, UK

EAC **Уполномоченный поставщик в РФ:**
АО «Шнейдер Электрик»
Адрес: 127018, Россия, г. Москва, ул. Двинцев, д.12, корп.1
Тел.: +7 (495) 777 99 90 - Факс: +7 (495) 777 99 92
Қазақстан Республикасында ресми жеткізуші:
ЖШС «Шнейдер Электрик»
Мекен-жайы: Қазақстан Республикасы, Алматы қ., Достық даң., «Кен Дала» Бизнес Орталығы, 5-ші қабат.
Тел.: +7 (727) 357 23 57 - Факс.: +7(727) 357 24 39



C1 Customization of the auxiliary buttons

Diagram C1 illustrates the customization of auxiliary buttons. It shows a handheld device with a keypad overlay, a plus sign, a minus sign, and a close-up of the device's buttons. An information icon 'i' points to a hand pressing a button with a trash can icon, and another hand pressing a button with a '1' icon.

C2

Diagram C2 shows two views of the handheld device. The left view shows the front of the device with a hand holding it. The right view shows the back of the device with a hand holding it.

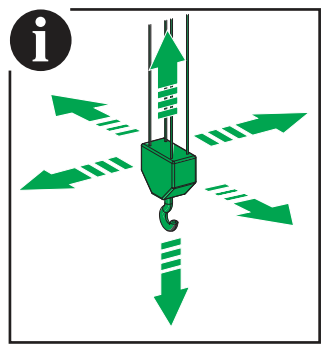
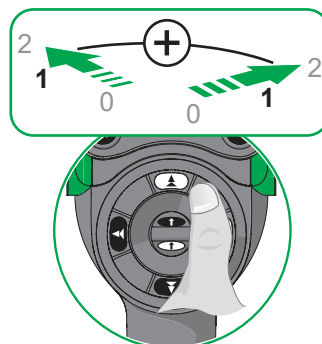
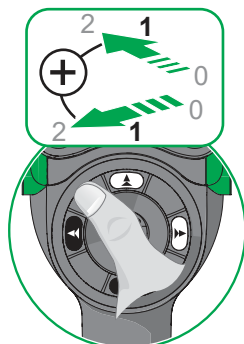
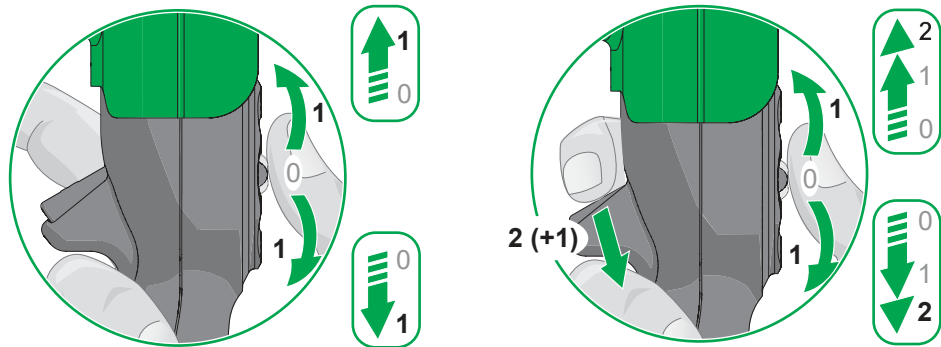
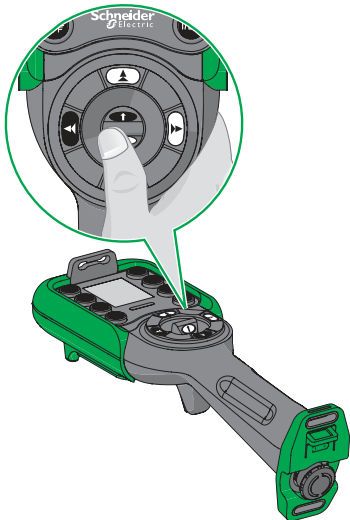
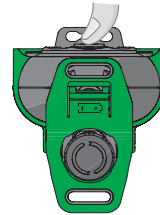
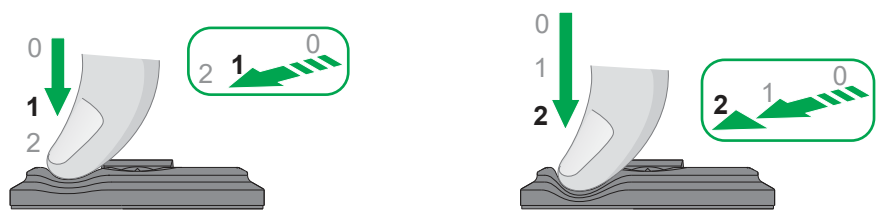
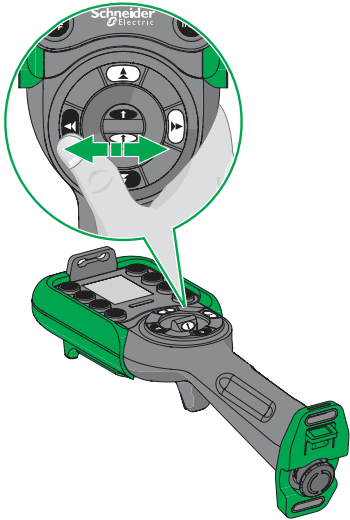
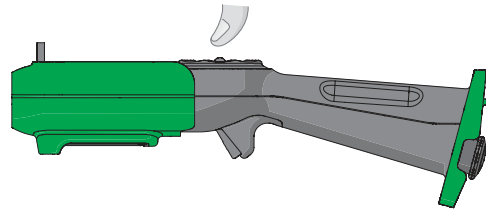
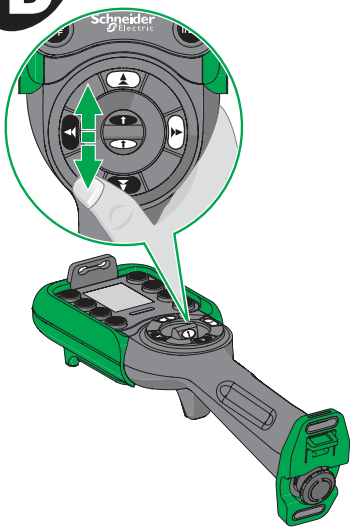
C3 Switch on procedure

Diagram C3 illustrates the switch on procedure. It shows a hand holding the device with a 1s timer icon. Below are two close-up views of the device's screen: the first shows the device is off, and the second shows the screen with 'STOP', '283', and '1+2'.

C4 Start Up Procedure

Diagram C4 illustrates the start up procedure. It shows a hand holding the device with a 1s timer icon. Below are two close-up views of the device's screen: the first shows 'STOP', '283', and '1+2', and the second shows 'START', '283', and '1+2'.

D



E Selector function button

F Messages display

Pre alarm	Alarm	
		Over-load
		Over-wind
		Over-speed
		Generic

G General stop procedure and re-start

Re-start sequence procedure

H Stop procedure

Note : the system will automatically enter in stop mode after predefined delay

I Switch off procedure

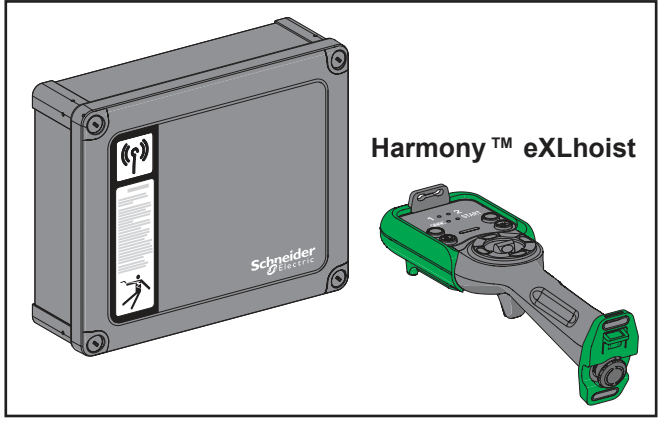
Note : the system will automatically enter in switch off mode after predefined delay

J Accessories

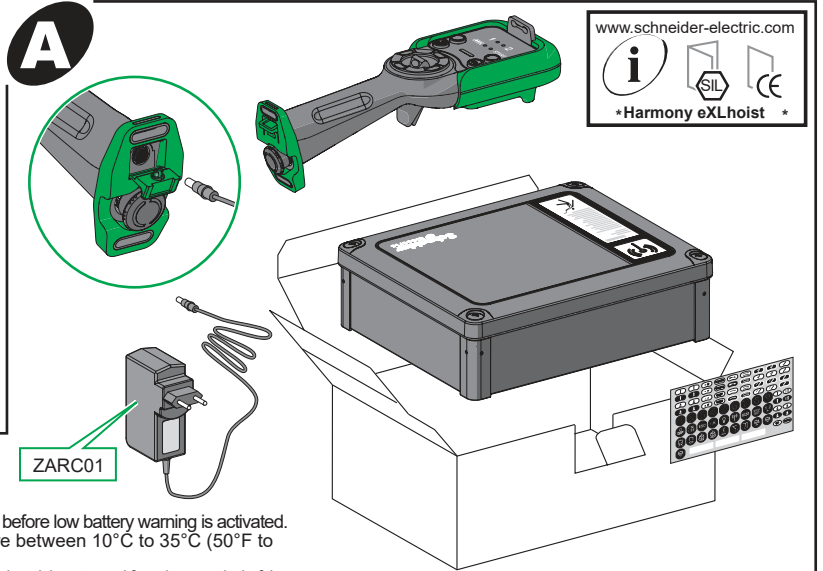
Battery charger (ZARC01)

Shoulder strap (ZARC02)

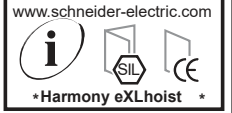
Remote holder (ZARC04)



Harmony™ eXLhoist



ZARC01



You can download our technical user guide file from our website at www.schneider-electric.com.

For the optimal use of the battery :

- It is recommended to charge the Remote Control Device before the first use and before low battery warning is activated.
- It is needed to charge the Remote Control Device with room temperature between 10°C to 35°C (50°F to 95°F) to reach the full battery charge in 15 min.
- It is recommended to charge the Remote Control Device once in every six months when it is not used for a long period of time.

Do not dispose of electric tools together with household waste material!

In observance of European directive 2002/96/EC on wasted electrical and electronic equipment and its implementation in accordance with national law, electric tools that have reached the end of their life must be collected separately and returned to an environmentally compatible recycling facility.

⚠ DANGER

HAZARD OF ELECTRIC SHOCK, EXPLOSION OR ARC FLASH

- Disconnect all power from all equipment including connected devices, prior to removing any covers or doors, or installing or removing any accessories, hardware, cables, or wires except under the specific conditions specified in the appropriate hardware guide for this equipment.
- Always use a properly rated voltage sensing device to confirm the power is off where and when indicated.
- Replace and secure all covers, accessories, hardware, cables, and wires and confirm that a proper ground connection exists before applying power to the unit.
- Use only the specified voltage when operating this equipment and any associated products.

Failure to follow these instructions will result in death or serious injury.

⚠ WARNING

UNINTENDED EQUIPMENT OPERATION

- Use appropriate safety interlocks where personnel and/or equipment hazards exist.
- Install and operate this equipment in an enclosure appropriately rated for its intended environment.
- Do not disassemble, repair, or modify this equipment.
- Do not connect any wiring to unused connections, or to connections designated as Not Connected (N.C.).
- Put the remote into STOP mode when not operating the unit to avoid accidental operations of motions push buttons.

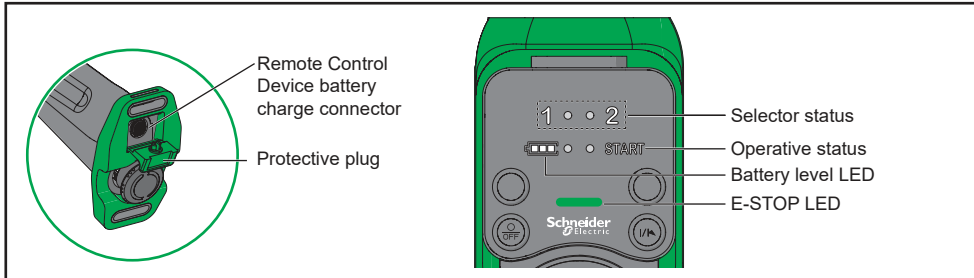
Failure to follow these instructions can result in death, serious injury, or equipment damage.

Electrical equipment should be installed, operated, serviced, and maintained only by qualified personnel. No responsibility is assumed by Schneider Electric for any consequences arising out of the use of this material.

This device complies with part 15 of the FCC Rules and Industry Canada licence-exempt RSS standard(s). Operation is subject to the following two conditions:
 1) This device may not cause harmful interference, and
 2) this device must accept any interference received, including interference that may cause undesired operation.

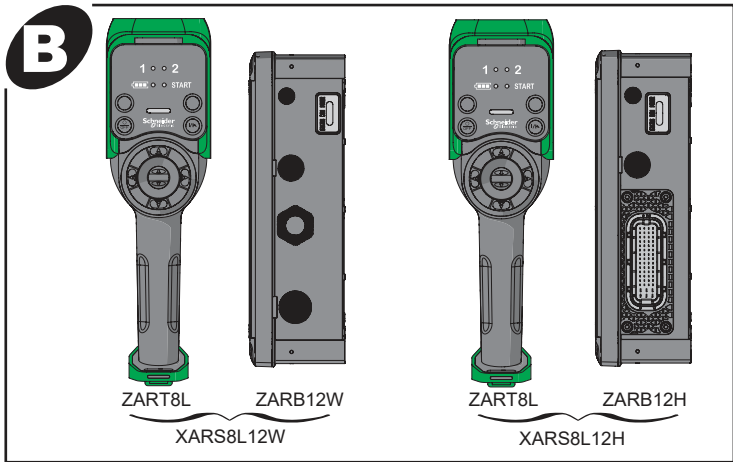
Le présent appareil est conforme aux CNR d'Industrie Canada applicables aux appareils radio exempts de licence. L'exploitation est autorisée aux deux conditions suivantes :
 1) L'appareil ne doit pas produire de brouillage.
 2) L'utilisateur de l'appareil doit accepter tout brouillage radioélectrique subi, même si le brouillage est susceptible d'en compromettre le fonctionnement.

IFETEL : La operación de este equipo está sujeta a las siguientes dos condiciones :
 (1) es posible que este equipo o dispositivo no cause interferencia perjudicial y
 (2) este equipo o dispositivo debe aceptar cualquier interferencia, incluyendo la que pueda causar su operación no deseada.



UK CA **UK Representative:**
 Schneider Electric Limited
 Stafford Park 5
 Telford, TF3 3BL, UK

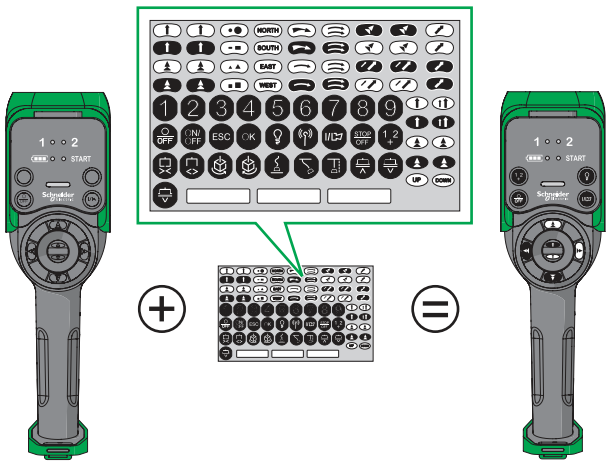
EAC **Уполномоченный поставщик в РФ:**
 АО «Шнейдер Электрик»
 Адрес: 127018, Россия, г. Москва,
 ул. Двинцев, д.12, корп.1
 Тел. +7 (495) 777 99 90 - Факс +7 (495) 777 99 92
Қазақстан Республикасында ресми жеткізуші:
 ЖШС «Шнейдер Электрик»
 Мекен-жайы: Қазақстан Республикасы, Алматы қ.,
 Достық даң., «Кен Дала» Бизнес Орталығы, 5-ші қабат.
 Тел.: +7 (727) 357 23 57 - Факс.: +7(727) 357 24 39



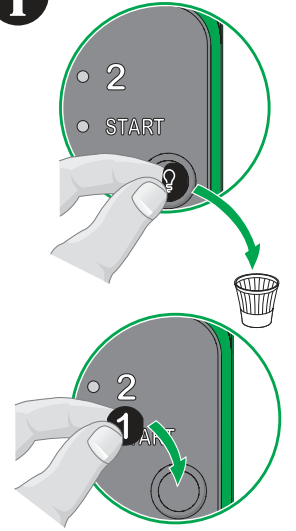
C **Charging battery**

D1

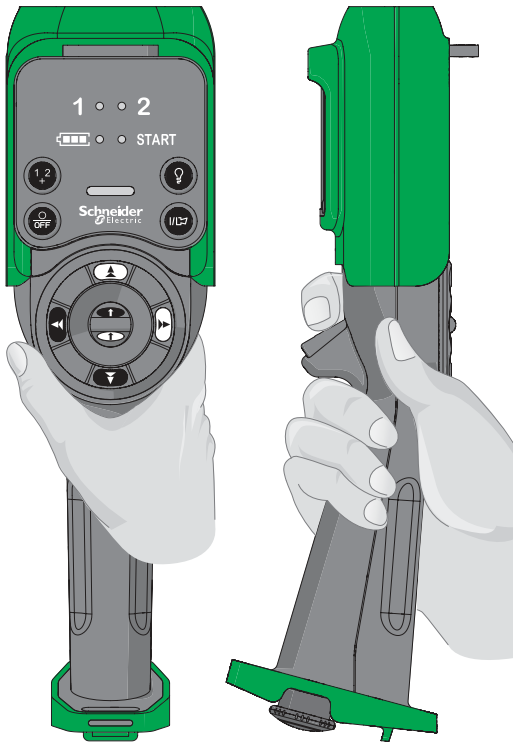
Customization of the auxiliary buttons



i

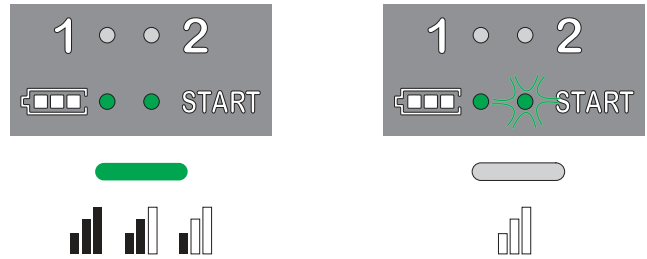


D2



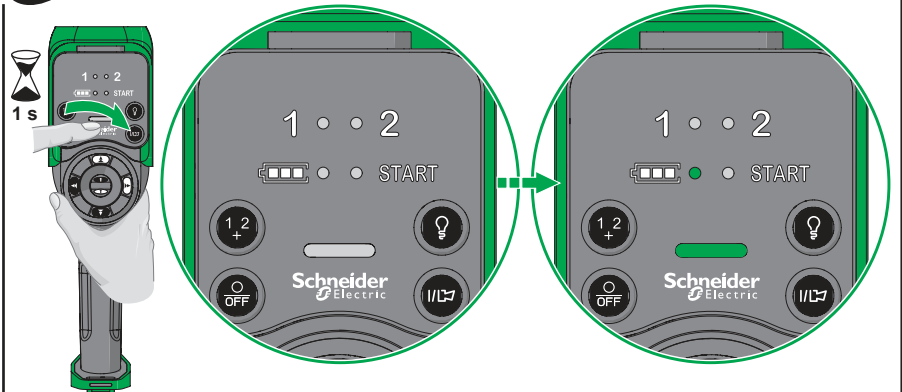
D3

Communication signal



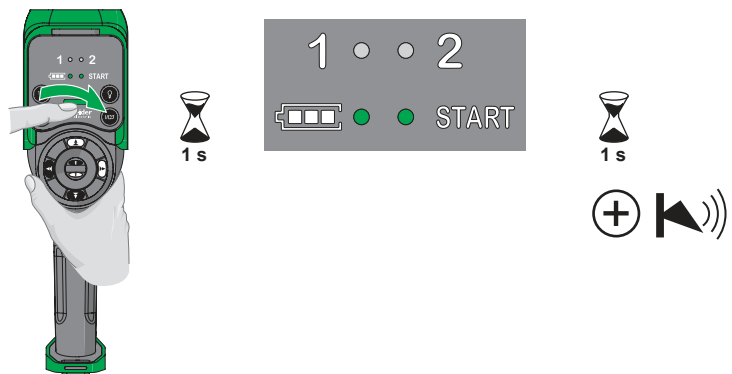
D4

Switch on procedure

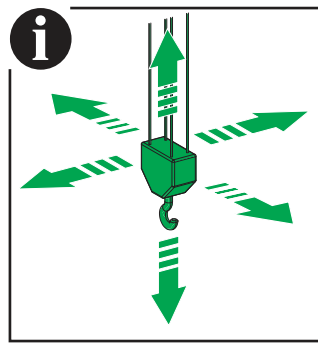
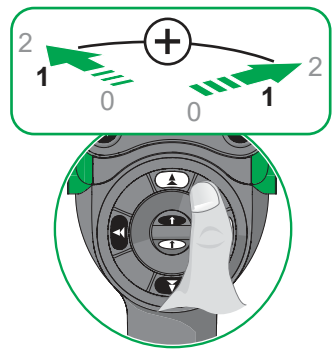
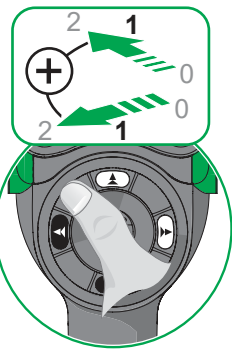
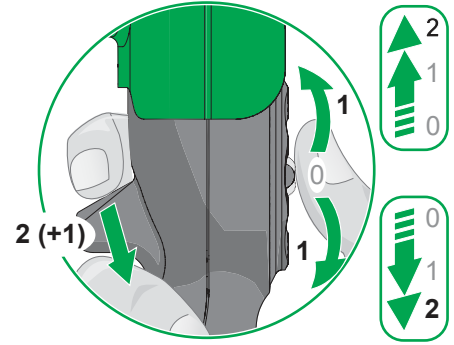
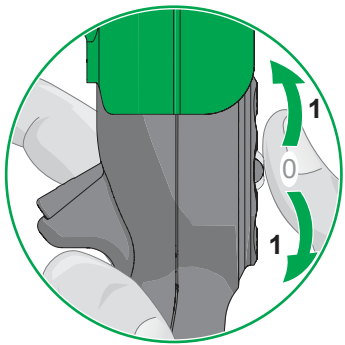
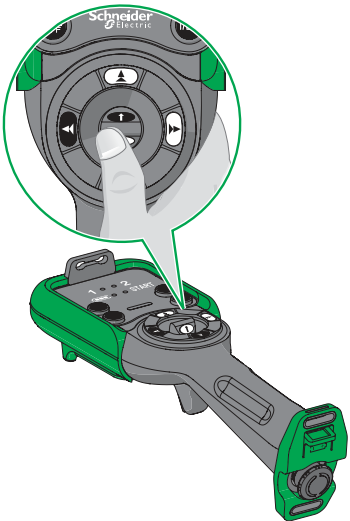
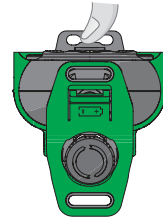
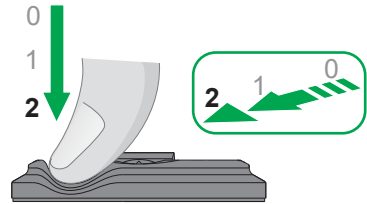
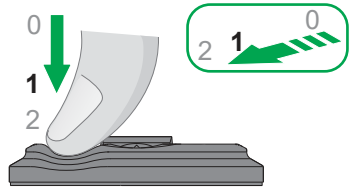
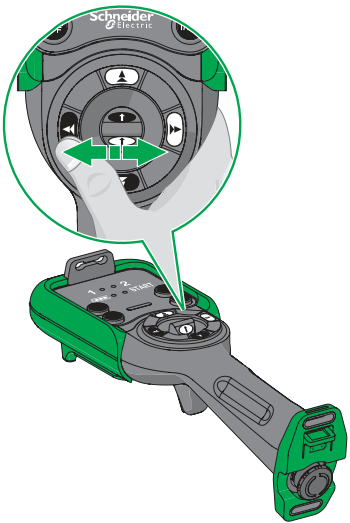
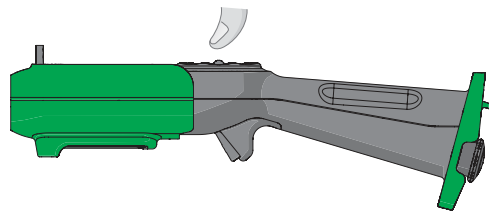
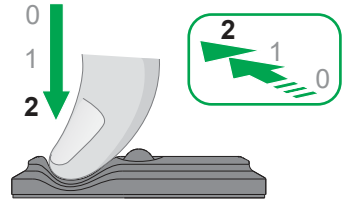
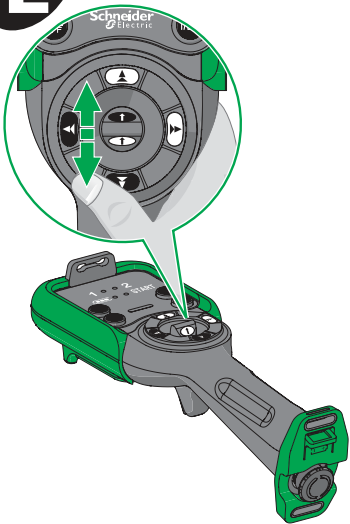


D5

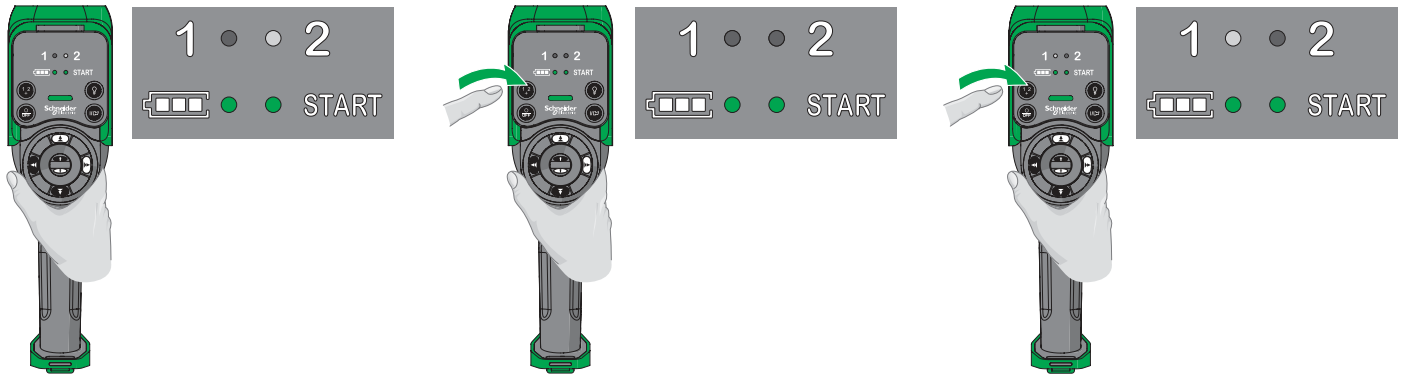
Start Up Procedure



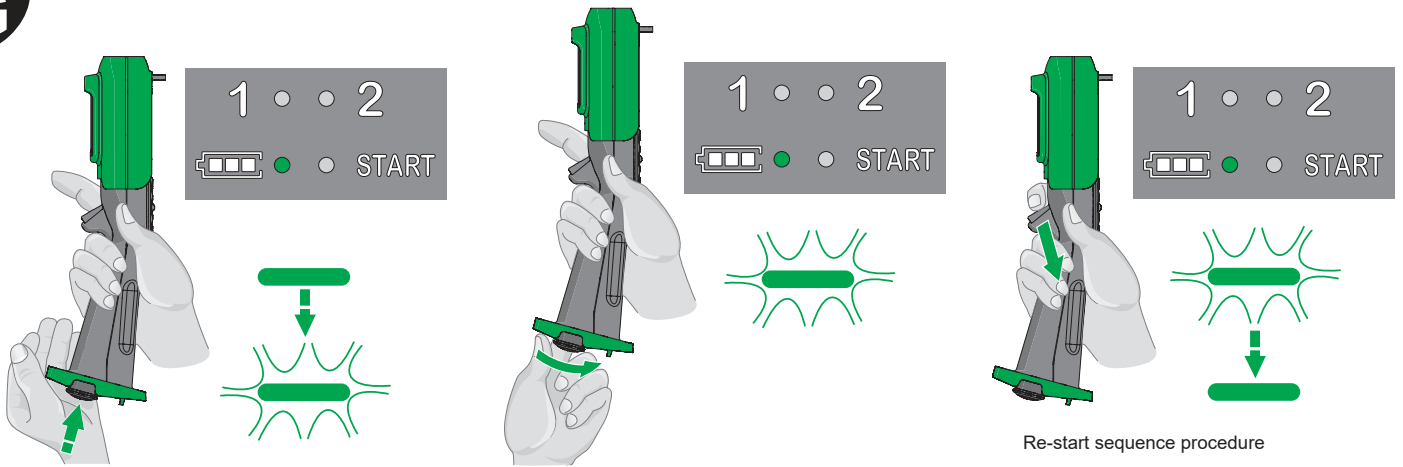
E Movements



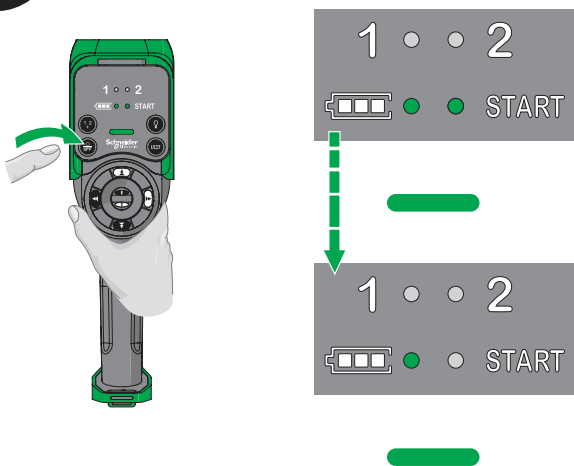
F Selector function button



G General stop procedure and re-start

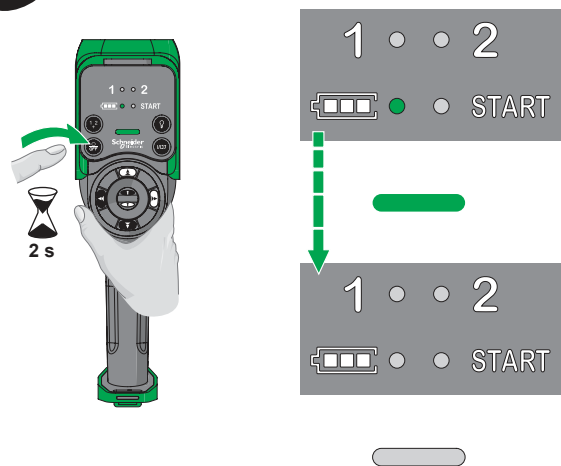


H Stop procedure



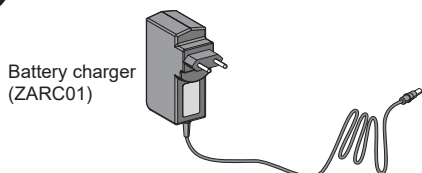
Note : the system will automatically enter in stop mode after predefined delay

I Switch off procedure

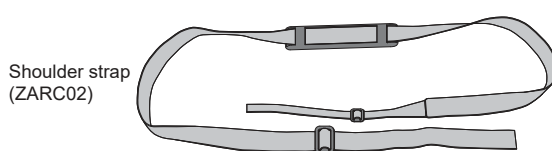


Note : the system will automatically enter in switch off mode after predefined delay

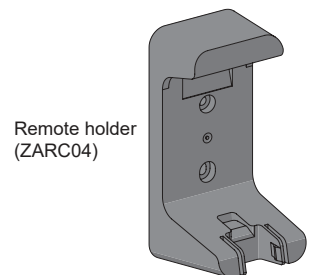
J Accessories



Battery charger (ZARC01)



Shoulder strap (ZARC02)



Remote holder (ZARC04)