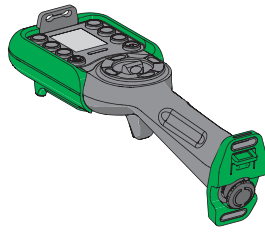
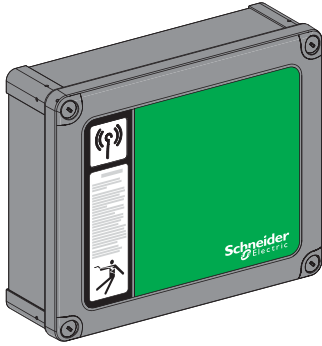


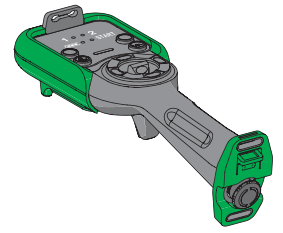
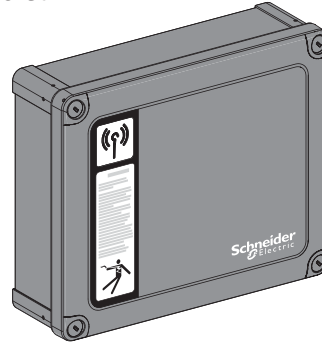


**Quick Start Guide**

**Harmony™ eXLhoist**



XARS8D18W / XARS8D18H / XARS12D18W / XARS12D18H



XARS8L12W / XARS8L12H

**⚠ DANGER**

**HAZARD OF ELECTRIC SHOCK, EXPLOSION OR ARC FLASH**

- Disconnect all power from all equipment including connected devices, prior to removing any covers or doors, or installing or removing any accessories, hardware, cables, or wires except under the specific conditions specified in the appropriate hardware guide for this equipment.
  - Always use a properly rated voltage sensing device to confirm the power is off where and when indicated.
  - Replace and secure all covers, accessories, hardware, cables, and wires and confirm that a proper ground connection exists before applying power to the unit.
  - Use only the specified voltage when operating this equipment and any associated products.
- Failure to follow these instructions will result in death or serious injury.**

**⚠ WARNING**

**UNINTENDED EQUIPMENT OPERATION**

- Use appropriate safety interlocks where personnel and/or equipment hazards exist.
  - Install and operate this equipment in an enclosure appropriately rated for its intended environment.
  - Do not disassemble, repair, or modify this equipment.
  - Do not connect any wiring to unused connections, or to connections designated as Not Connected (N.C.)
- Failure to follow these instructions can result in death, serious injury, or equipment damage.**

It is recommended to charge the battery once a week, for a duration of at least 4 hours.

Electrical equipment should be installed, operated, serviced, and maintained only by qualified personnel. No responsibility is assumed by Schneider Electric for any consequences arising out of the use of this material. You can download our technical user guide file as well as the eXLhoist configuration software from our website at [www.schneider-electric.com](http://www.schneider-electric.com).

**⚠ WARNING**

**UNINTENDED EQUIPMENT OPERATION**

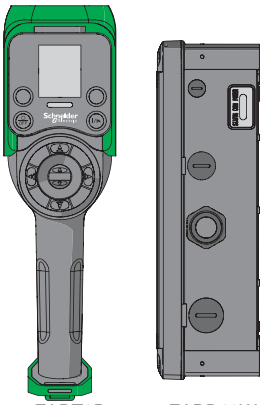
Power line must be wired and protected with fuse or thermal magnetic switch (ex: Schneider-Electric GV2) in compliance with local and national regulatory requirements for the rated current and voltage of the particular equipment.  
**Failure to follow these instructions can result in death, serious injury, or equipment damage.**

**⚠ WARNING**

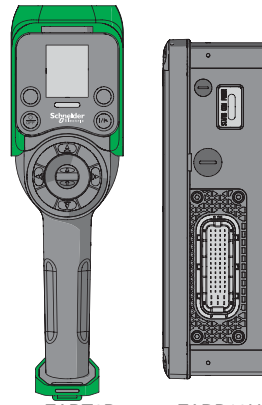
**UNINTENDED EQUIPMENT OPERATION**

Put the remote into STOP mode when not operating the unit to avoid accidental operations of motions push buttons.  
**Failure to follow these instructions can result in death, serious injury, or equipment damage.**

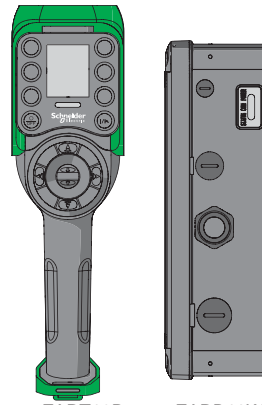
Note: You can decrease the "stand-by time out" value using the configuration software tool to reduce the time the remote is in run mode.



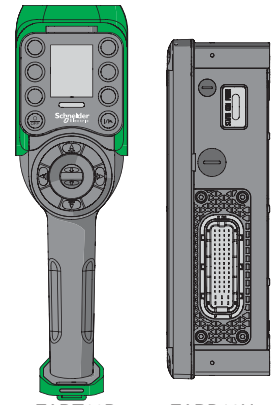
ZART8D ZARB18W  
XARS8D18W



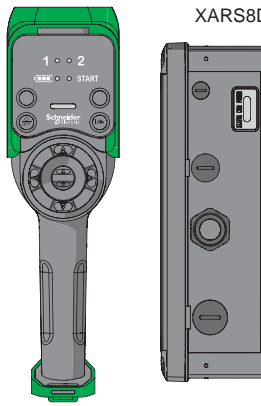
ZART8D ZARB18H  
XARS8D18H



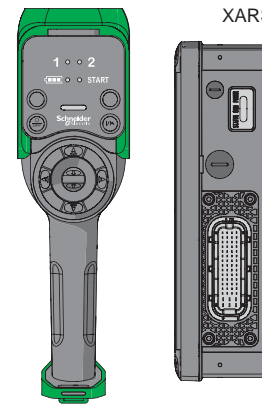
ZART12D ZARB18W  
XARS12D18W



ZART12D ZARB18H  
XARS12D18H



ZART8L ZARB12W  
XARS8L12W



ZART8L ZARB12H  
XARS8L12H

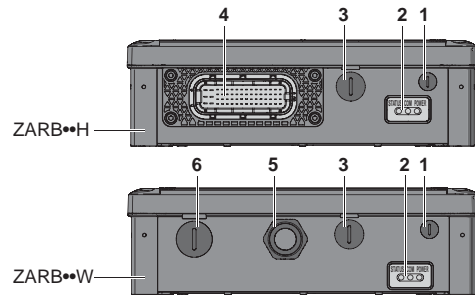
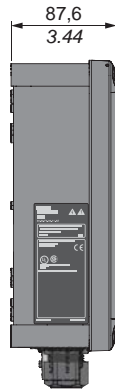
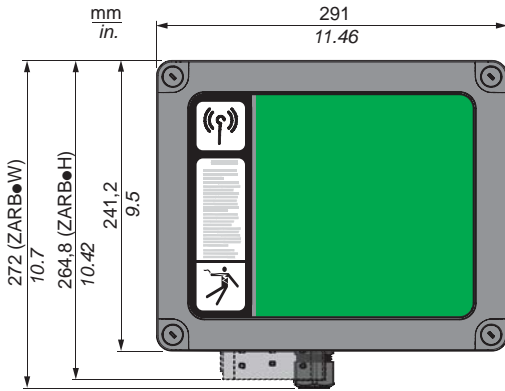
Main characteristics

**WARNING**

**UNINTENDED EQUIPMENT OPERATION**

Install and operate this equipment according to the environmental conditions described in the operating limits. Failure to follow these instructions can result in death, serious injury, or equipment damage.

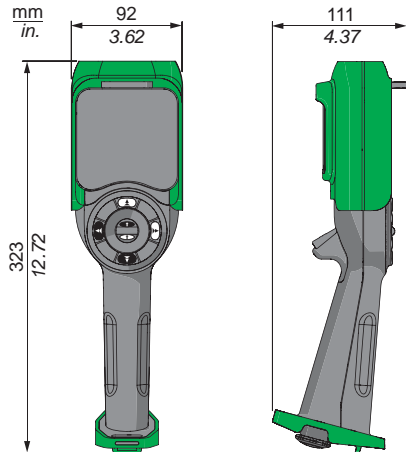
**Base station ZARB●●●**



- 1 : M12 for external antenna (covered by cap)
- 2 : Status LEDs
- 3 : M20 for the safeguarding function input wires (covered by cap)
- 4 : 62 pins connector
- 5 : M25 for output wires (covered by cable gland)
- 6 : M25 for detected applicative alarms input wires (covered by cap)

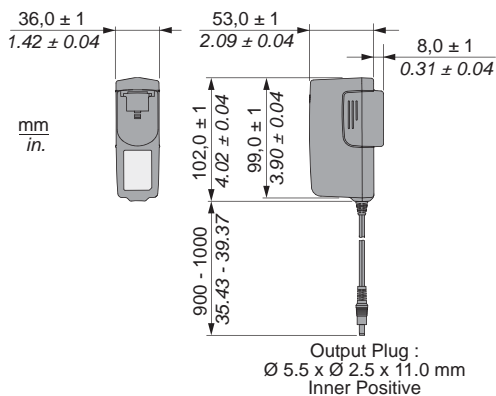
Specifications	Details	Values			
		ZARB12H	ZARB12W	ZARB18H	ZARB18W
Operating voltage	AC/DC power supply Min...max	24...48 V AC/DC ± 20%	24...240 V AC/DC ± 20%	24...48 V AC/DC ± 20%	24...240 V AC/DC ± 20%
Current consumption (maximum current in connected or not connected state)	For 24V DC	328 mA			
	For 24V AC	535 mA			
	For 48V DC	155 mA			
	For 48V AC	312 mA			
	For 240V DC	-	44 mA	-	44 mA
	For 240V AC	-	250 mA	-	250 mA
Operating temperature	For 24...48 V AC/DC power supply	-25...70°C (-13...158°F)			
	For 48...130 V AC/DC power supply	-	-25...70°C (-13...158°F)	-	-25...70°C (-13...158°F)
	For 130...240 V AC/DC power supply	-	-25...50°C (-13...122°F)	-	-25...50°C (-13...122°F)
Degree of protection	-	IP65 / NEMA 4			

**Remote control ZART●●●**



Specifications	Details	Values		
		ZART8L	ZART8D	ZART12D
Operating radio range	Free field	> 300 m		
Operating temperature	-	-20...60°C (-4...140°F)		
Operating temperature to charge battery	Office environment	10...40°C (50...104°F)		
Degree of protection	-	IP65 / NEMA 4		

**Charger for remote device**



Specifications	Details	Values
Operating voltage	-	110 / 240 VAC
Operating temperature	Office environment	0...40°C (32...104°F)
Degree of protection	-	IP20

Wiring

**WARNING**

**UNINTENDED EQUIPMENT OPERATION**

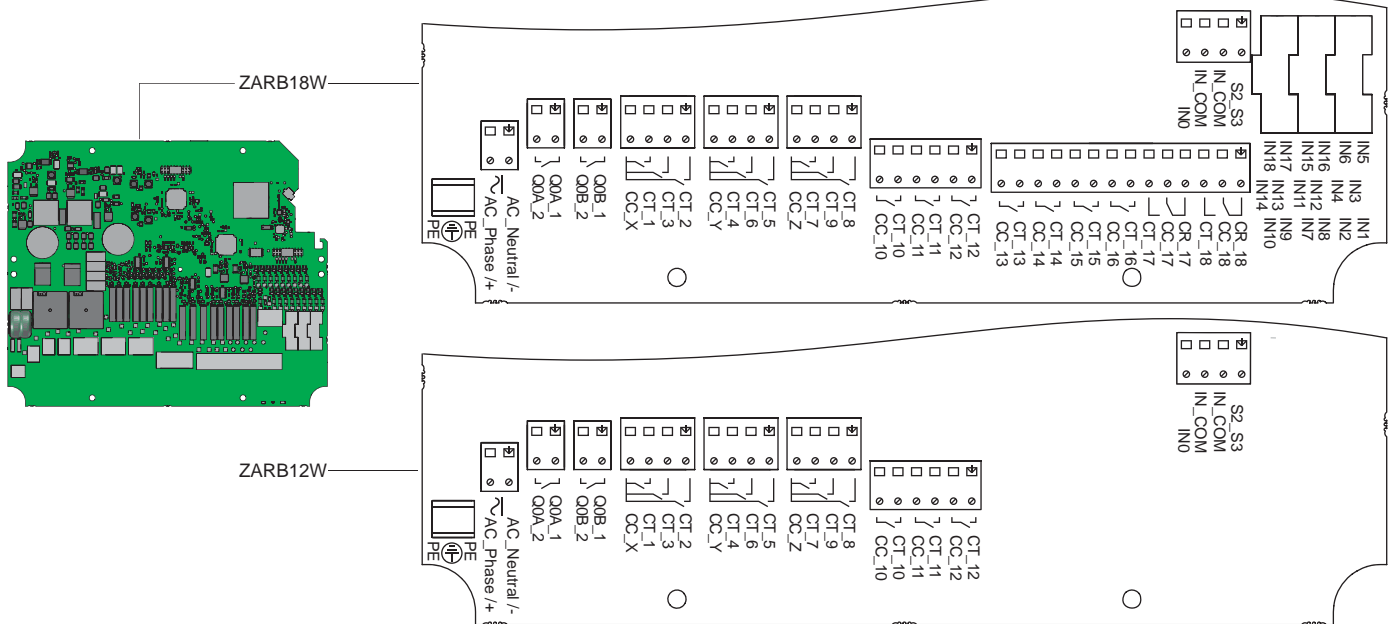
- Use shielded cables wherever specified for inputs and outputs connections.
  - Properly ground the cable shields as indicated in the related documentation.
  - Route I/O cables separately from power cables.
- Failure to follow these instructions can result in death, serious injury, or equipment damage.

**WARNING**

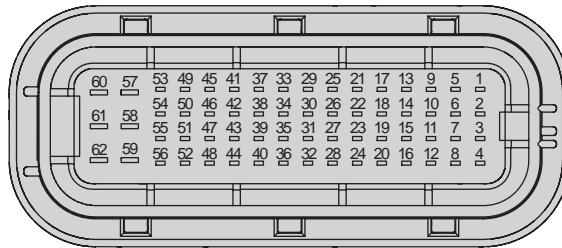
**UNINTENDED EQUIPMENT OPERATION**

- Connect the Base Station protective earth ground connection to the machine ground.
- Failure to follow these instructions can result in death, serious injury, or equipment damage.

Base station terminal wiring



Base station ZARB●●H - Connector pin out



- A : Pin number
- B : ZARB18H description
- C : ZARB12H description

A	B	C	A	B	C	A	B	C	A	B	C
1	CR_18	-	17	CT_16	-	33	CT_7	CT_7	49	-	-
2	CC_18	-	18	CT_15	-	34	CC_Y	CC_Y	50	-	-
3	CT_18	-	19	S2/S3	S2/S3	35	CT_2	CT_2	51	-	-
4	CT_13	-	20	IN3	-	36	IN1	-	52	-	-
5	CR_17	-	21	CC_16	-	37	QOA_1	QOA_1	53	-	-
6	CC_17	-	22	CC_15	-	38	QOA_2	QOA_2	54	-	-
7	CT_17	-	23	-	-	39	CT_3	CT_3	55	-	-
8	CC_13	-	24	IN2	-	40	IN4	-	56	-	-
9	CT_14	-	25	CT_9	CT_9	41	QOB_1	QOB_1	57	-	-
10	CC_12	CC_12	26	CT_8	CT_8	42	QOB_2	QOB_2	58	-	-
11	CT_11	CT_11	27	CT_5	CT_5	43	CT_1	CT_1	59	-	-
12	CC_10	CC_10	28	IN_COM	-	44	IN5	-	60	AC_Neutral	AC_Neutral
13	CC_14	-	29	CC_Z	CC_Z	45	PE	PE	61	-	-
14	CT_12	CT_12	30	CT_6	CT_6	46	-	-	62	AC_Phase	AC_Phase
15	CC_11	CC_11	31	CT_4	CT_4	47	CC_X	CC_X			
16	CT_10	CT_10	32	IN0	IN0	48	IN6	-			

Cable length maximum 50 m (164 ft)

**DANGER**

**FIRE HAZARD**

Use only the recommended wire sizes for I/O channels and power supplies.  
Failure to follow these instructions will result in death or serious injury.

**NOTICE**

**INOPERABLE EQUIPMENT**

Do not tighten screw terminals beyond the specified maximum torque (Nm / lb-in.).  
Failure to follow these instructions can result in equipment damage.

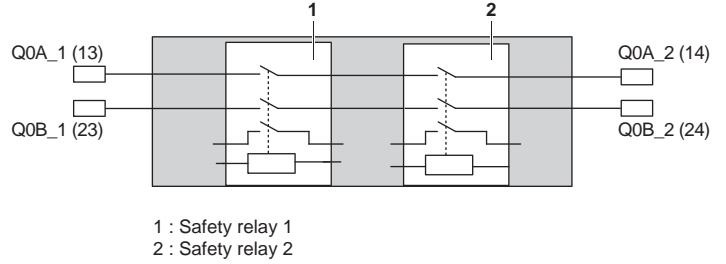
mm in.	7 0.28								
mm <sup>2</sup>	0.2...2.5	0.2...2.5	0.25...2.5	0.25...2.5	2 x 0.2...1	2 x 0.2...1.5	2 x 0.25...1	2 x 0.5...1.5	
AWG	24...14	24...14	23...14	23...14	2 x 24...17	2 x 24...16	2 x 23...17	2 x 20...16	
	Ø 3,5 mm (0.14 in.)				N•m	0.5...0.6			
					lb-in	4.42...5.31			

**Electrical diagram**

**Base station ZARB●●● - Inputs / Outputs**

Input / Output	Possible uses ( depending of the configuration)
IN0	Feedback loop input
IN1...IN6	Applicative Alarm (only for ZARB18●)
IN7...IN18	Limit Switches (only for ZARB18●)
Q0A (13/14) Q0B (23/24)	Safety relays
Q1...Q9	Motion relays
Q10...Q16 (NO type)	Auxiliary relays (Q13 to Q18 only for ZARB18●)
Q17, Q18 (NO+NC type)	Specific relays (only for ZARB18●)

**Base station ZARB●●● safety relays internal wiring**



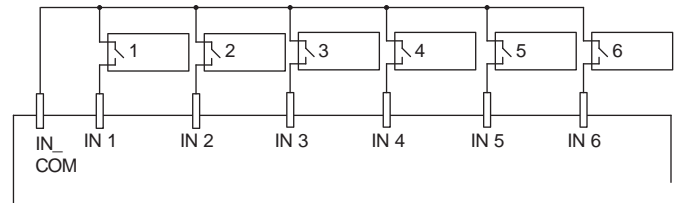
1 : Safety relay 1  
2 : Safety relay 2

**Base station ZARB18● - Applicative alarms**

Input	Description
IN1	Overload pre-alarm
IN2	Overload alarm
IN3	Over wind pre-alarm
IN4	Over wind alarm
IN5	Over speed alarm
IN6	Generic alarm

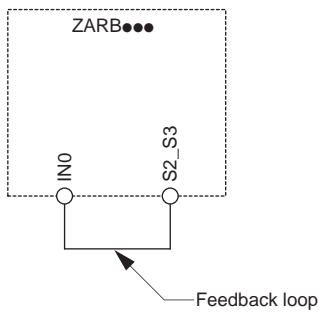
The ZARB18● base station implements 6 inputs : IN1...IN6  
Differents sensors can be connected to these inputs  
These inputs are dedicated for applicative alarms

**Base station ZARB18● wiring diagram for the applicative alarm devices**

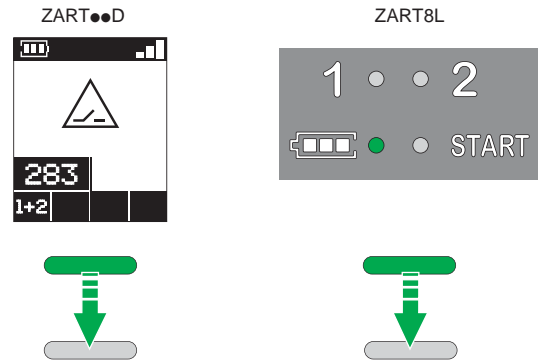


The IN1 to IN6 input cable length should not exceed 50 m (164 ft)

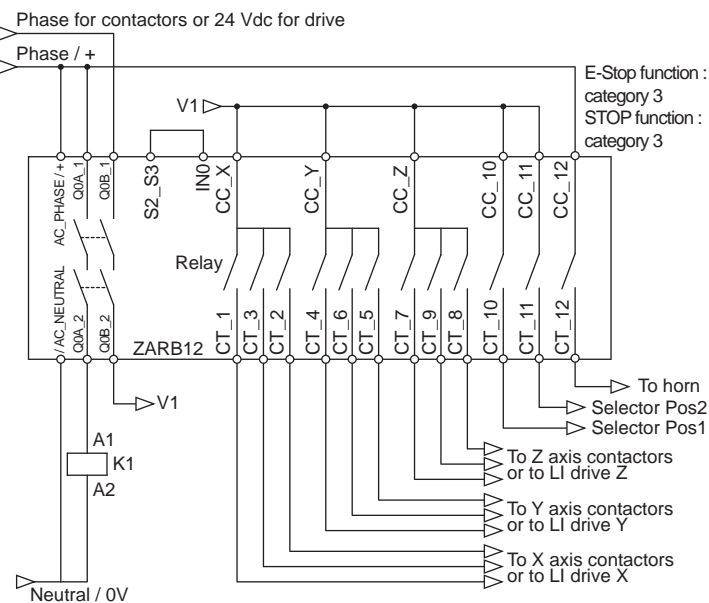
For E-Stop SIL3, PL<sub>e</sub>, category 4 refer to the user manual.  
For the other cases, connect IN0 to S2\_S3 signals.



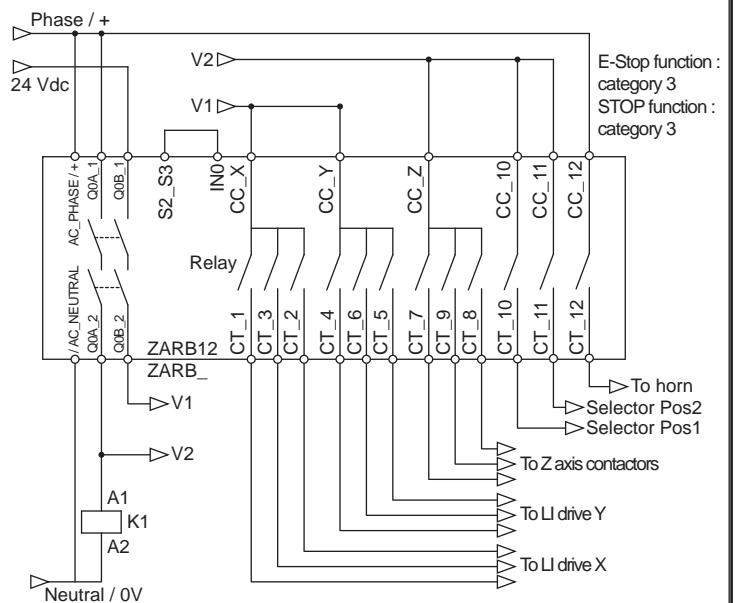
Informs that the feedback loop is opened



**Example of wiring for E-Stop and Stop SIL2, PL<sub>d</sub>, category 3**



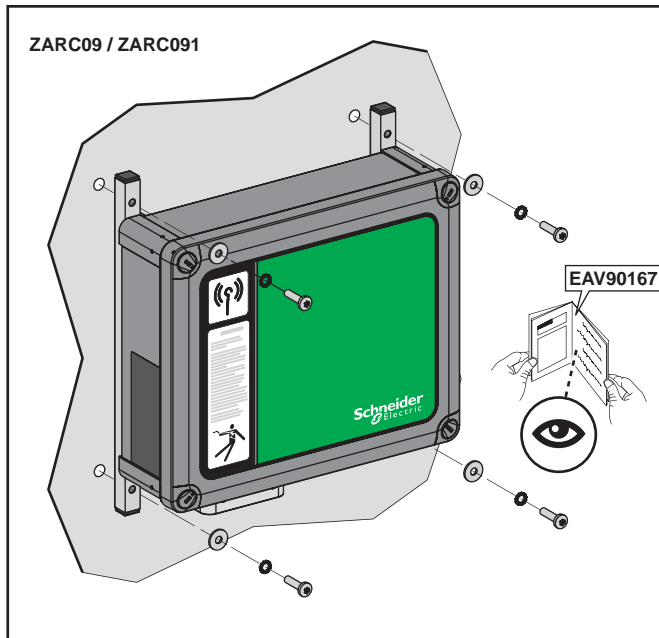
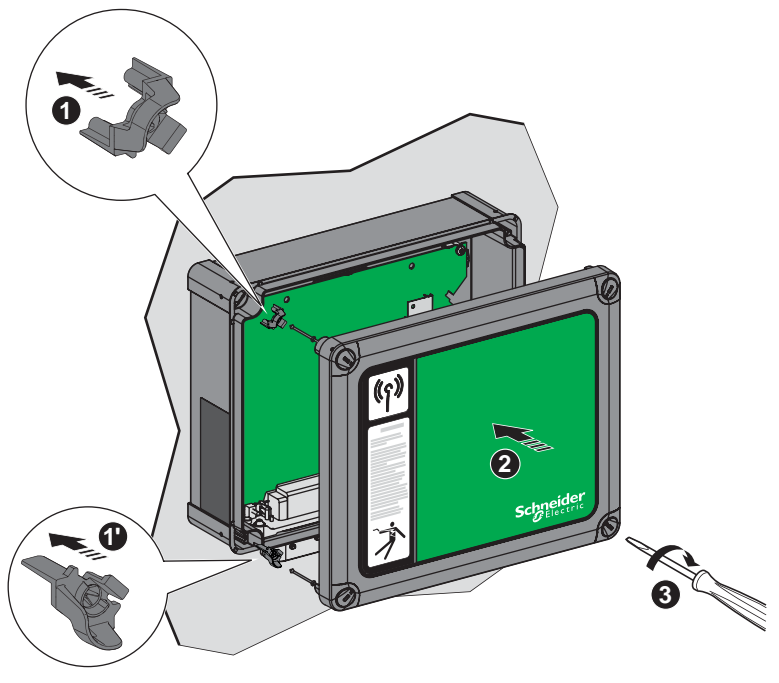
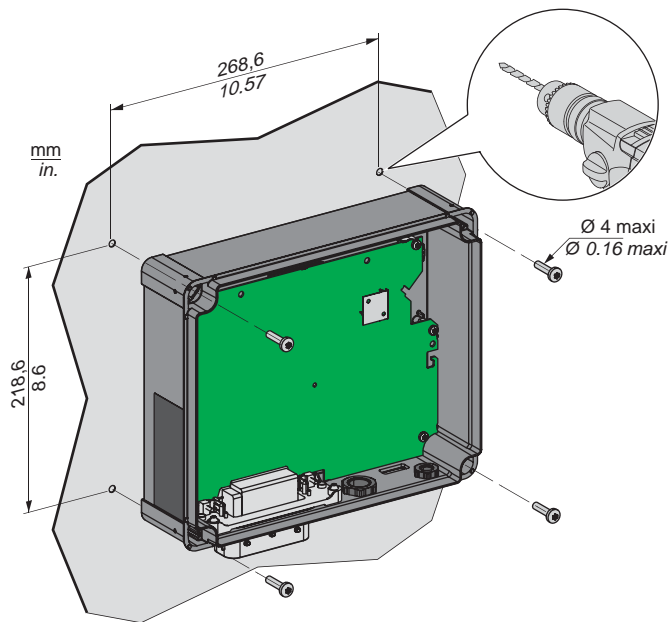
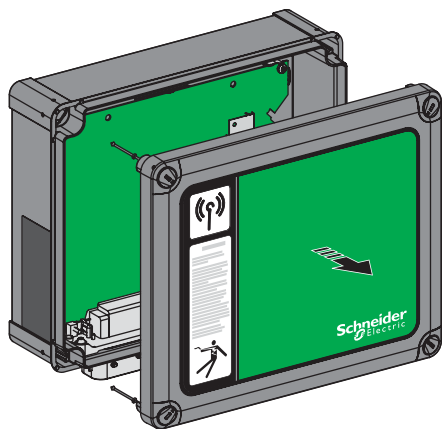
**Example of wiring for E-Stop and Stop SIL2, PL<sub>d</sub>, category 3, mix drives and contactors**





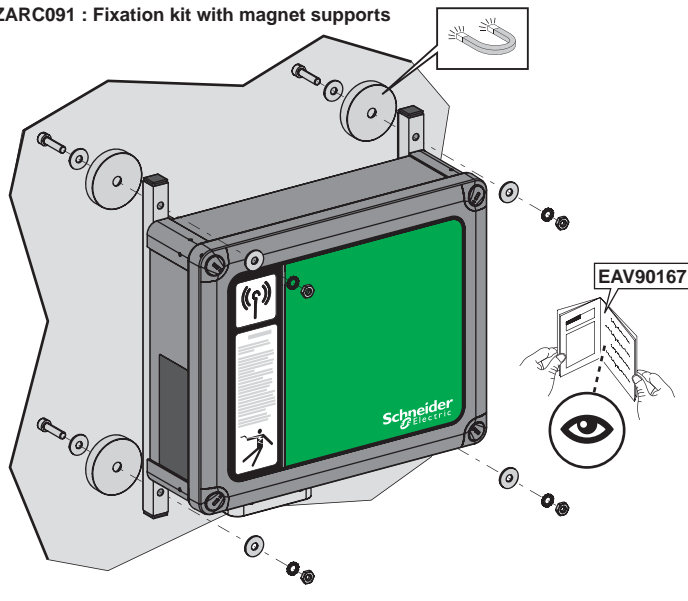
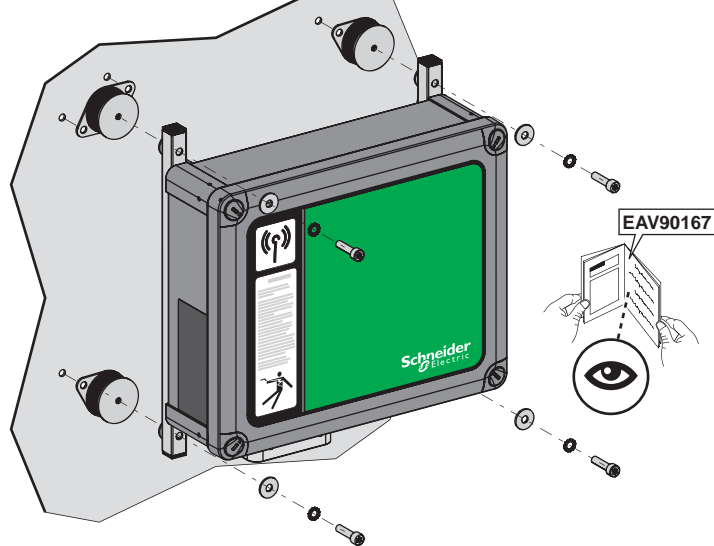


Mechanical installation



ZARC09 : Fixation kit with silent block

ZARC091 : Fixation kit with magnet supports



Pairing with discovering (only for ZART●●D)

Base station ID : 00-80-F4-00-11-AE  
Label : 283

P7/8

ON < 5 min

STATUS COM POWER

1 s

1 s

00.11.E2 / 00.11.AE / 283  
00.11.E1 / 00.11.AE / 283  
00.02.58 / 00.01.D7 / 205  
00.01.D6 / 001

00.11.E2 / 00.11.AE / 283  
00.11.E1 / 00.11.AE / 283  
00.02.58 / 00.01.D7 / 205  
00.01.D6 / 001

2

3

STATUS C/M POWER

00.11.AE / 283

00.11.AE / 283

4

5

00-80-F4-00-11-AE

00-80-F4-00-11-AE

6

00.11.AE

7

8

00.11.AE

00.11.AE

9

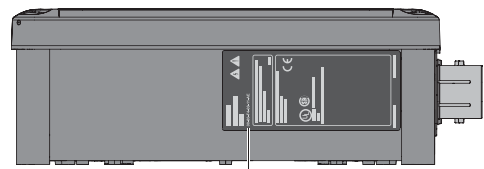
1 s

STOP

283

1+2

**Pairing with configuration software**



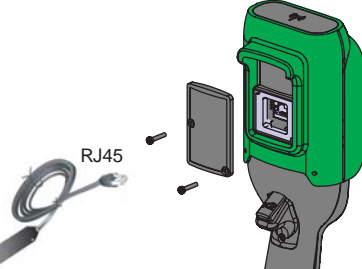
Base station ID : 00-80-F4-00-11-AE  
Label : 283



eXLhoist configuration software



www.schneider-electric.com



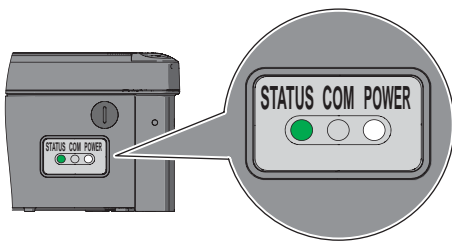
**NOTICE**

**INOPERABLE EQUIPMENT**

- Always connect the communication cable to the PC before connecting it to the device.
- Only use the Schneider Electric cable TCSMCNAM3M002P. Failure to follow these instructions can result in equipment damage.

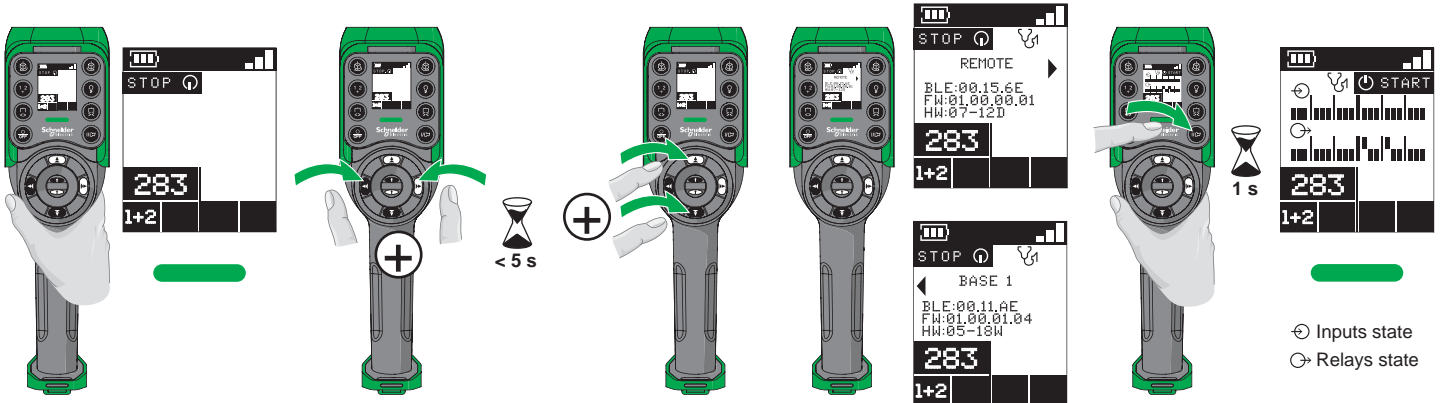
**Diagnostics**

**Base station ZARB●●● - Diagnostic LEDs**

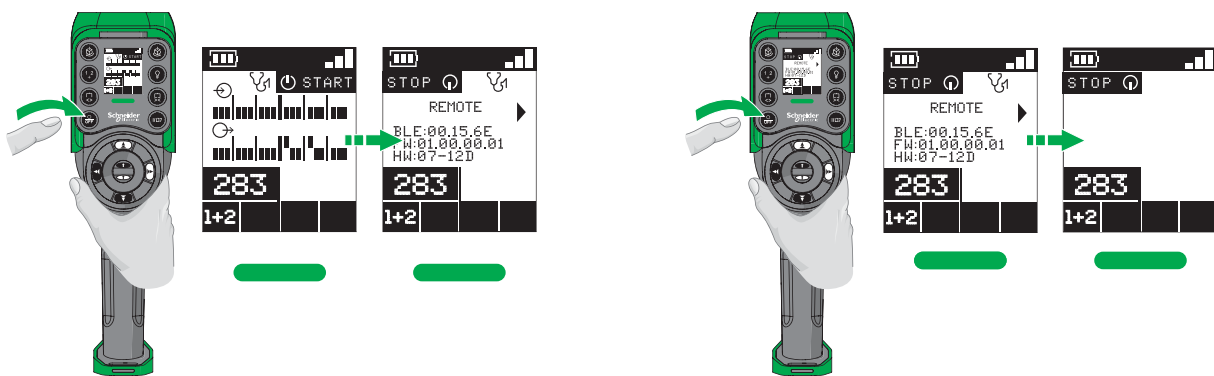


LED	Color	State	Description
Status	Green	ON	The remote control system is working properly
		OFF	Base station power OFF or internal fault detected
COM	Yellow	OFF	No communication between the base station and the remote control device
		Blinking	The communication is established between the base station and the remote control device
Power	White	OFF	Base station powered OFF
		ON	Base station powered ON

**Remote device ZART●●D - Diagnostic Display**

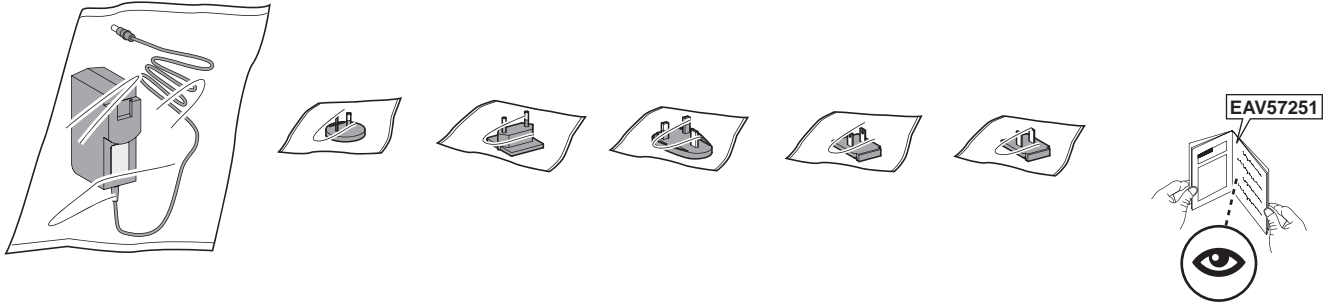


**Exit**

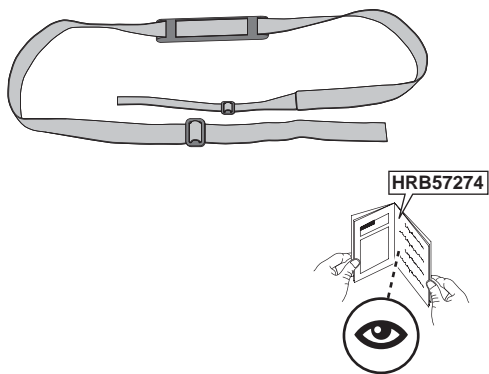


**Accessories**

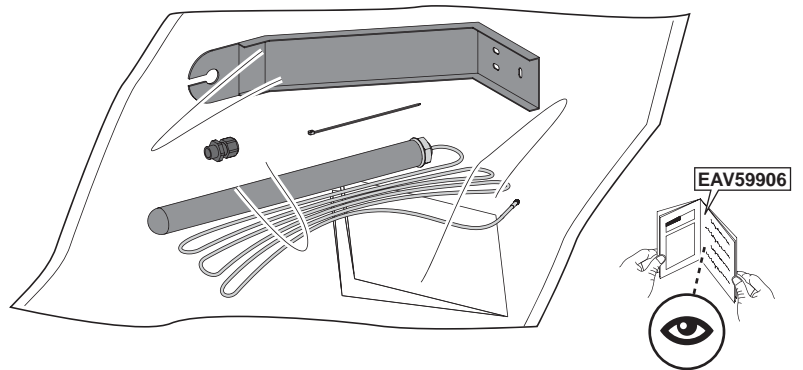
**ZARC01 : Charger for remote device**



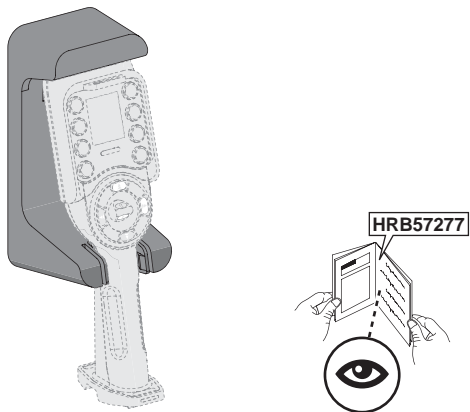
**ZARC02 : Shoulder belt for remote device**



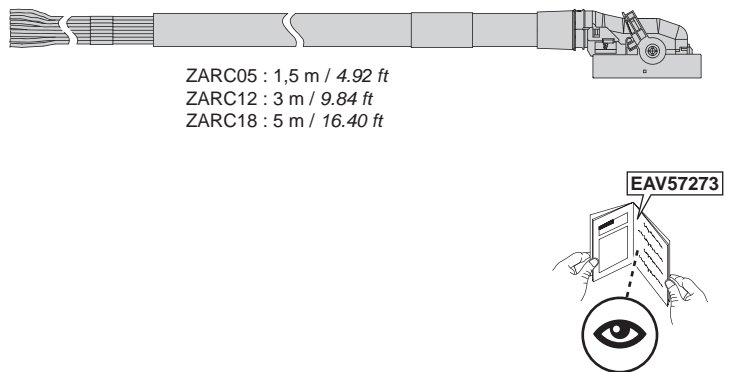
**ZARC03 : External antenna for base station**



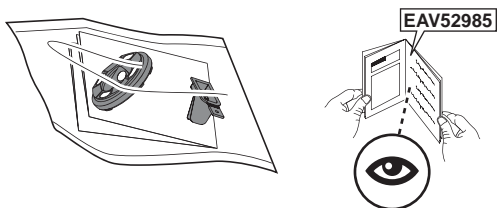
**ZARC04 : Holder for remote device**



**ZARC05 / ZARC12 / ZARC18 : Connector plug female**



**ZARC20 : Bellows**



**ZARC21 : Protections**

